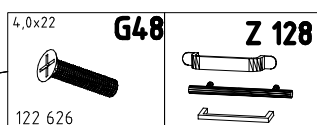
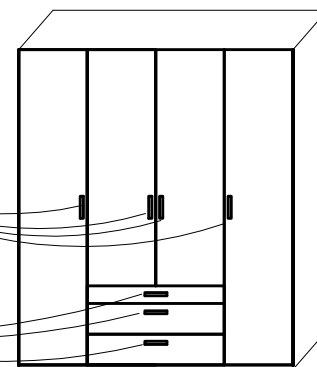
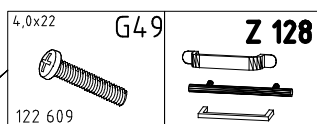
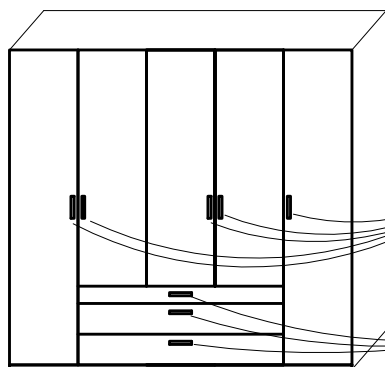
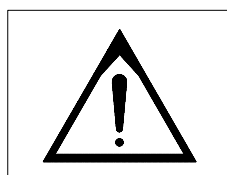
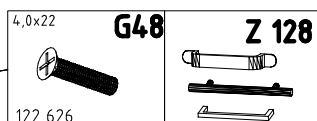
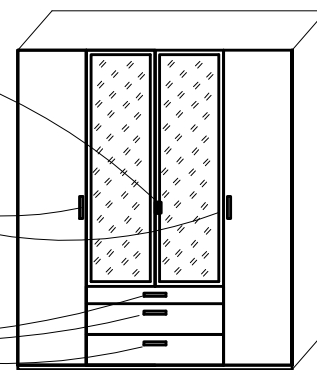
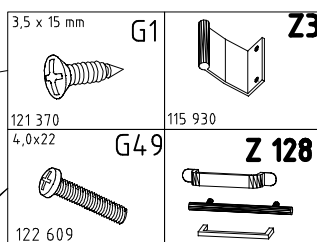
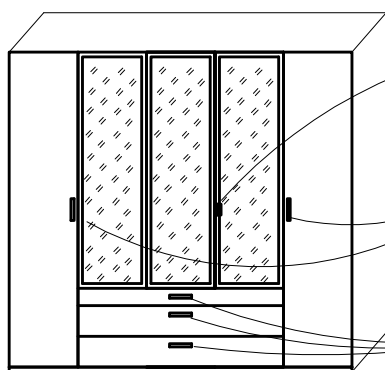
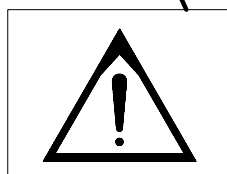
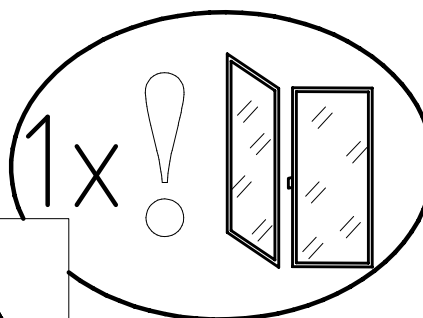
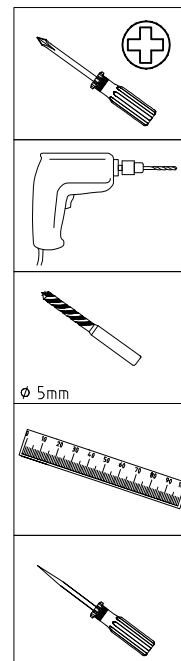
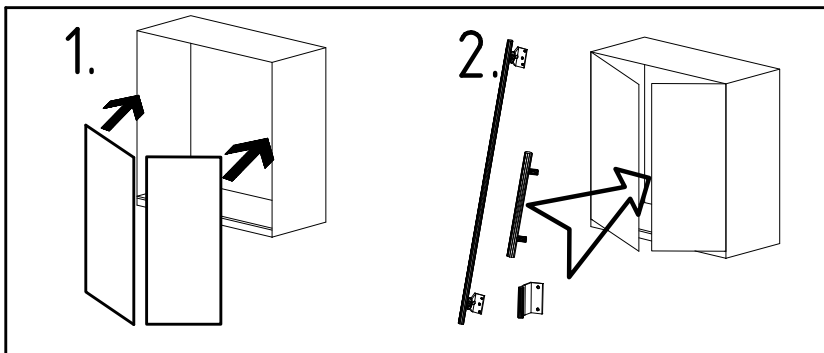
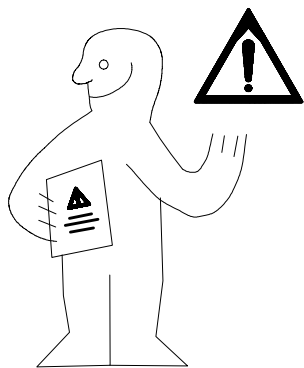
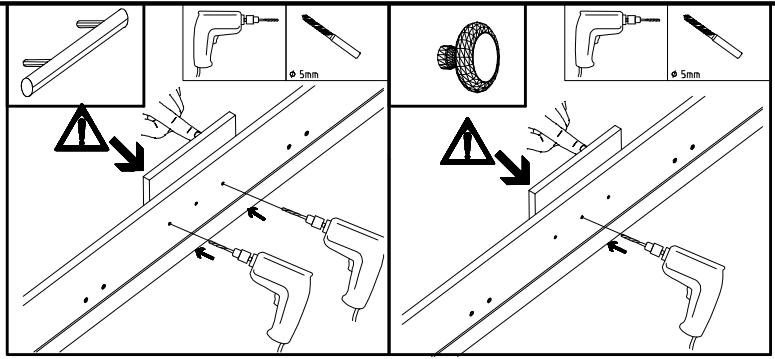


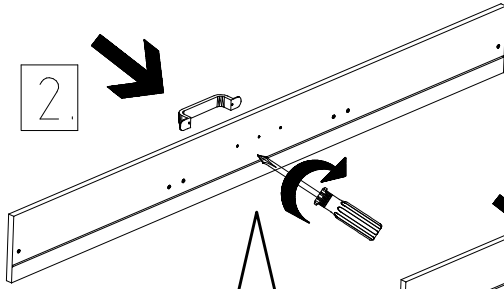
980313



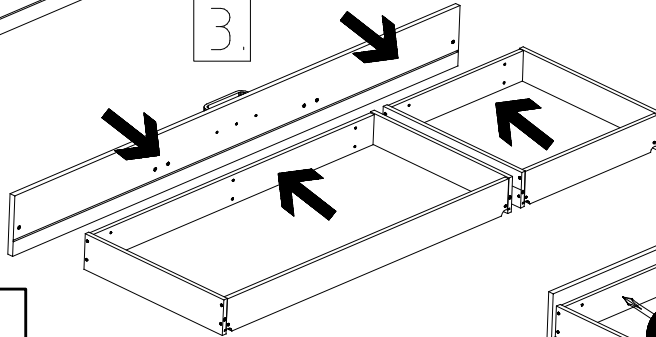
1



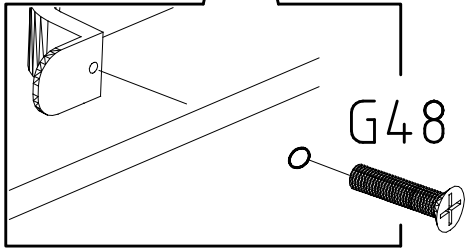
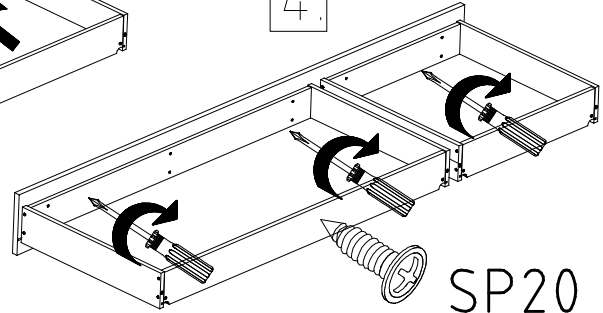
2



3

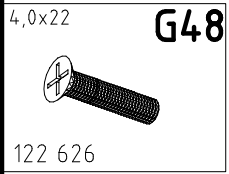


4



G48

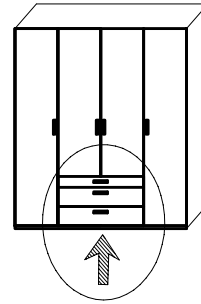
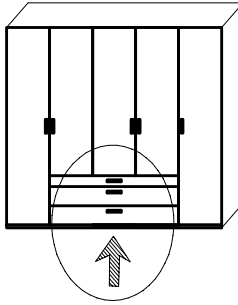
SP20



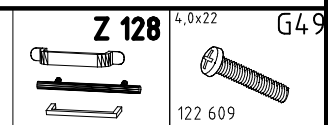
4,0x22

G48

122 626



2



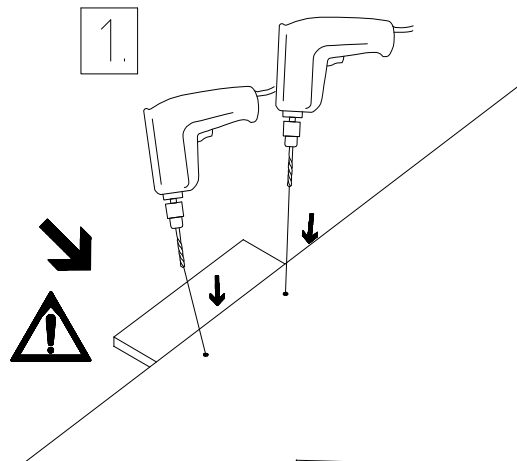
Z 128

4,0x22

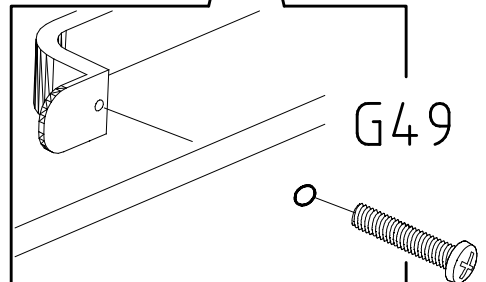
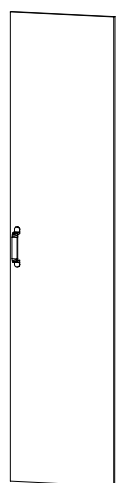
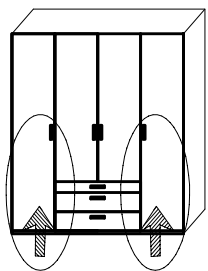
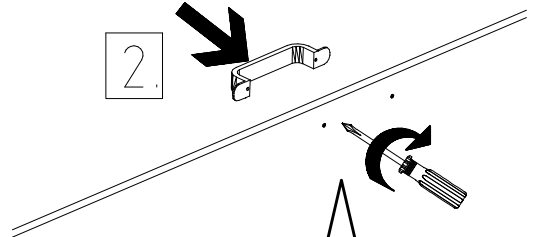
G49

122 609

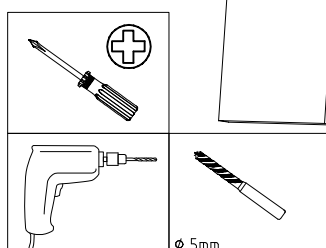
1



2



G49



Ø 5mm

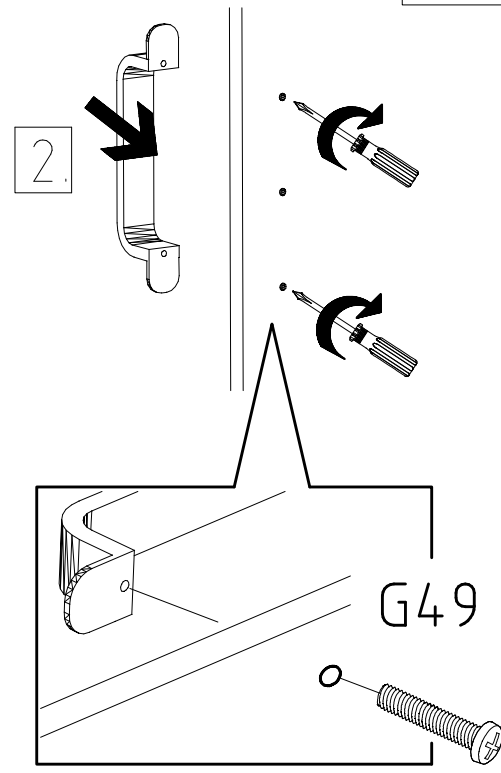
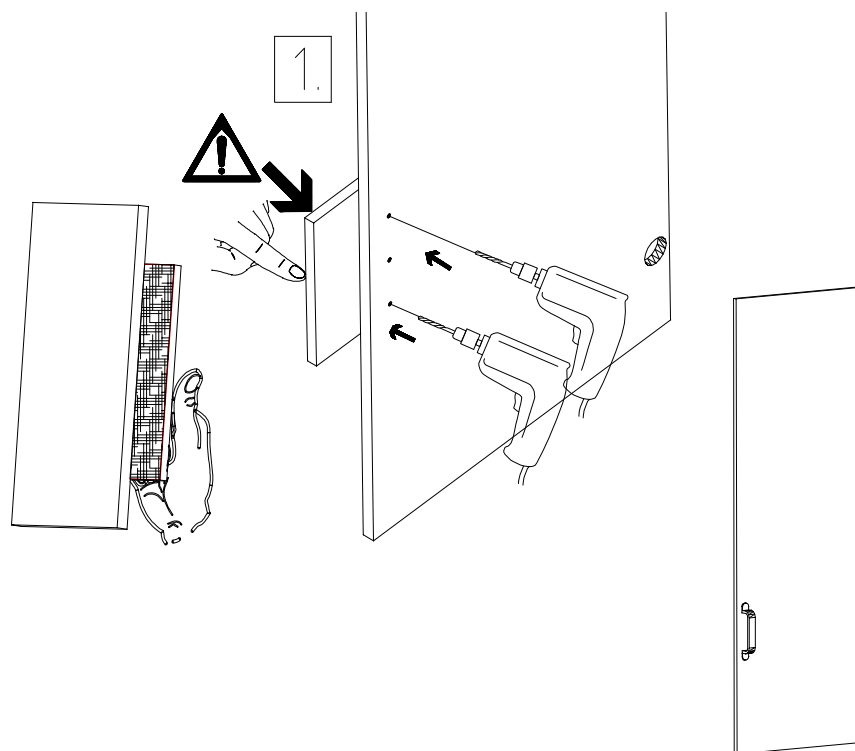
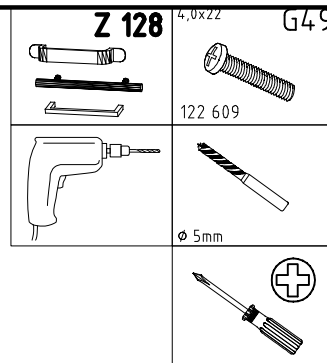
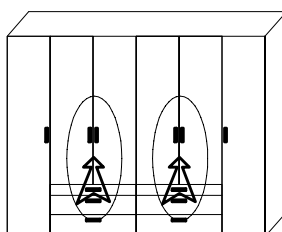
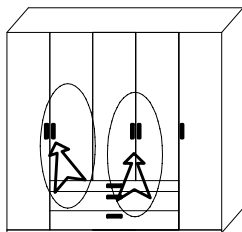
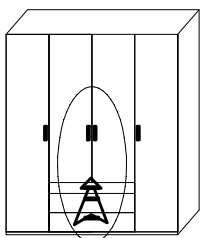
980313

19.05.18 / -

05 18

2/3

3



4

