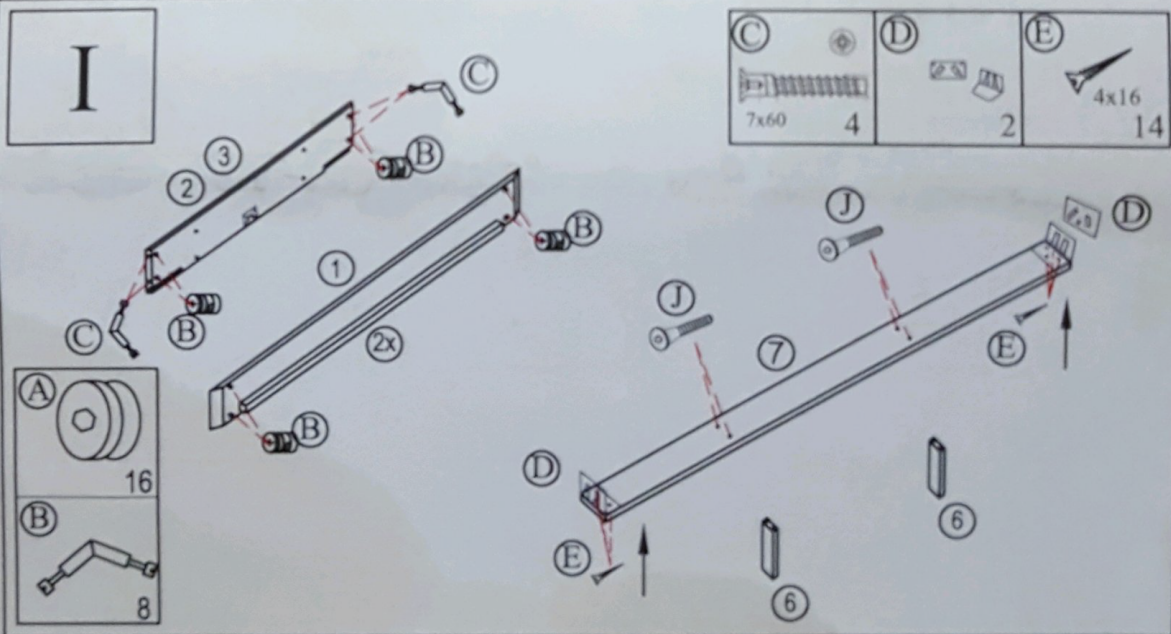
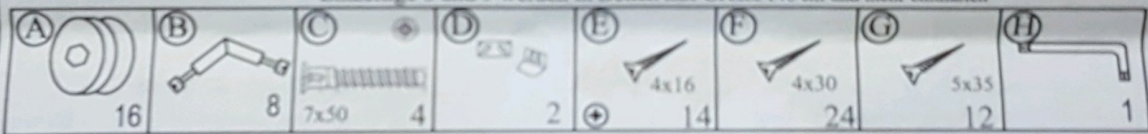
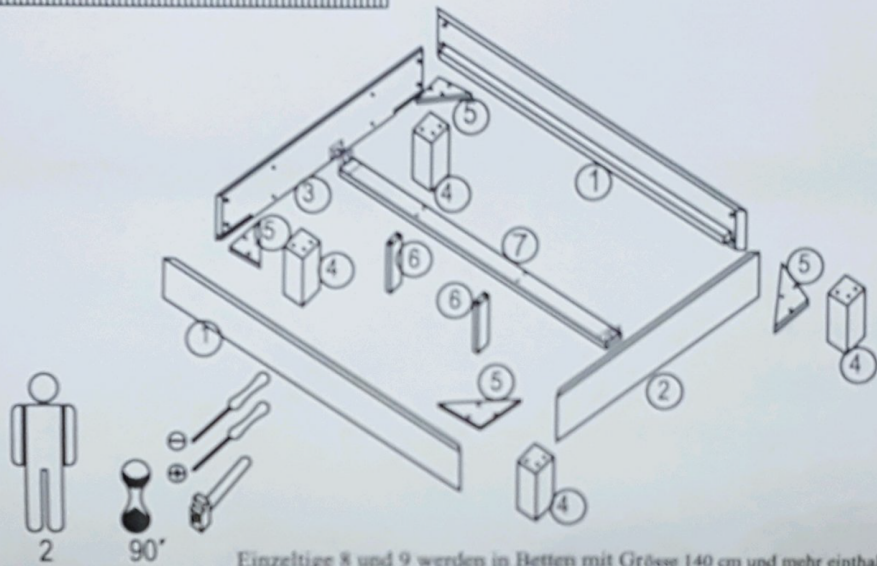
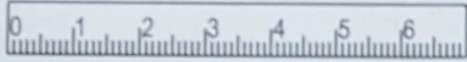
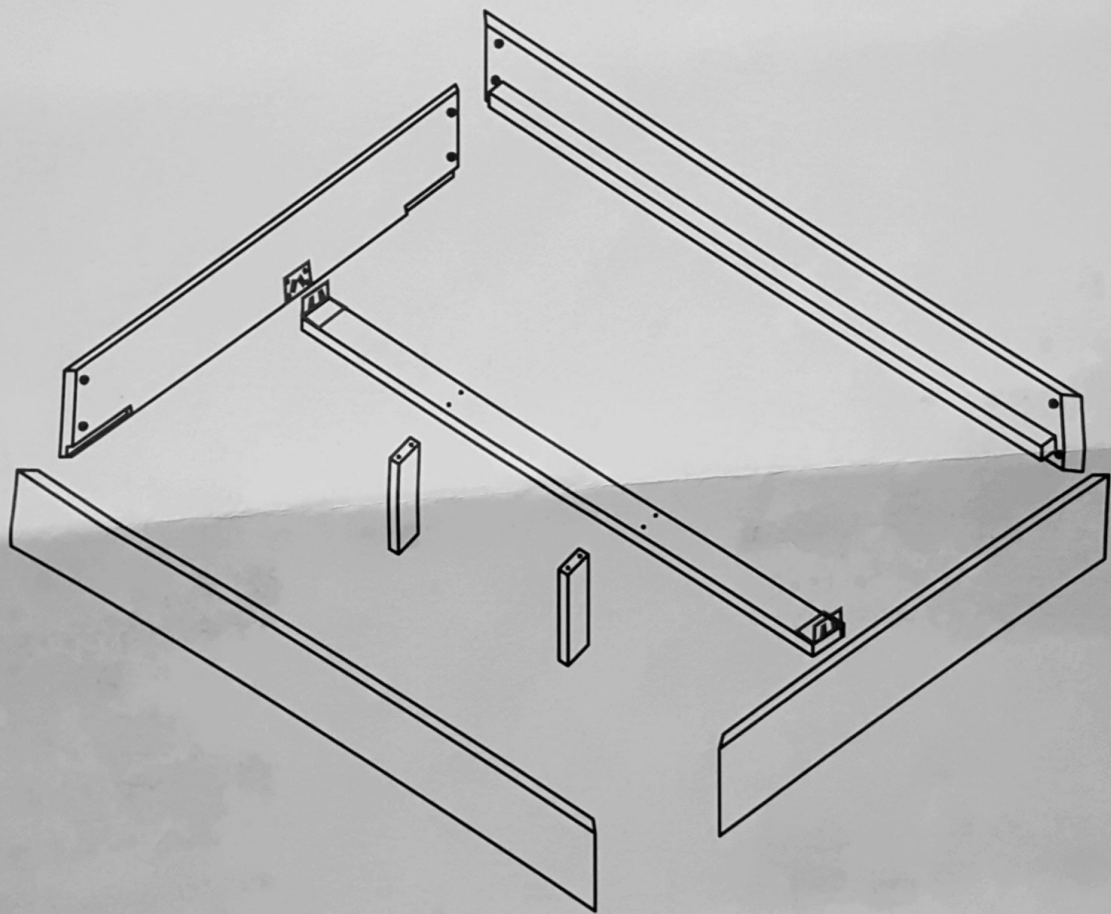
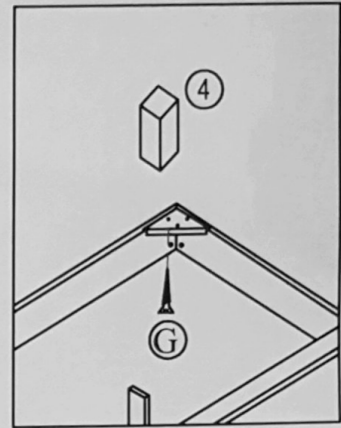
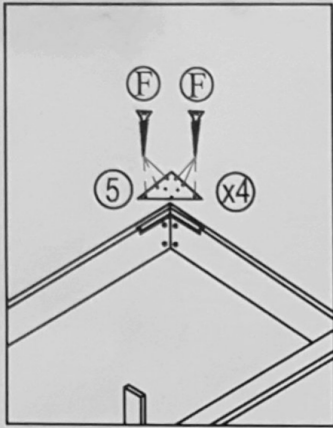

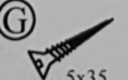


# MONTAGEANLEITUNG ASSEMBLY INSTRUCTION





<b>II</b>	 <b>F</b> 3,5x30 + 24	 <b>G</b> 5x35 + 12