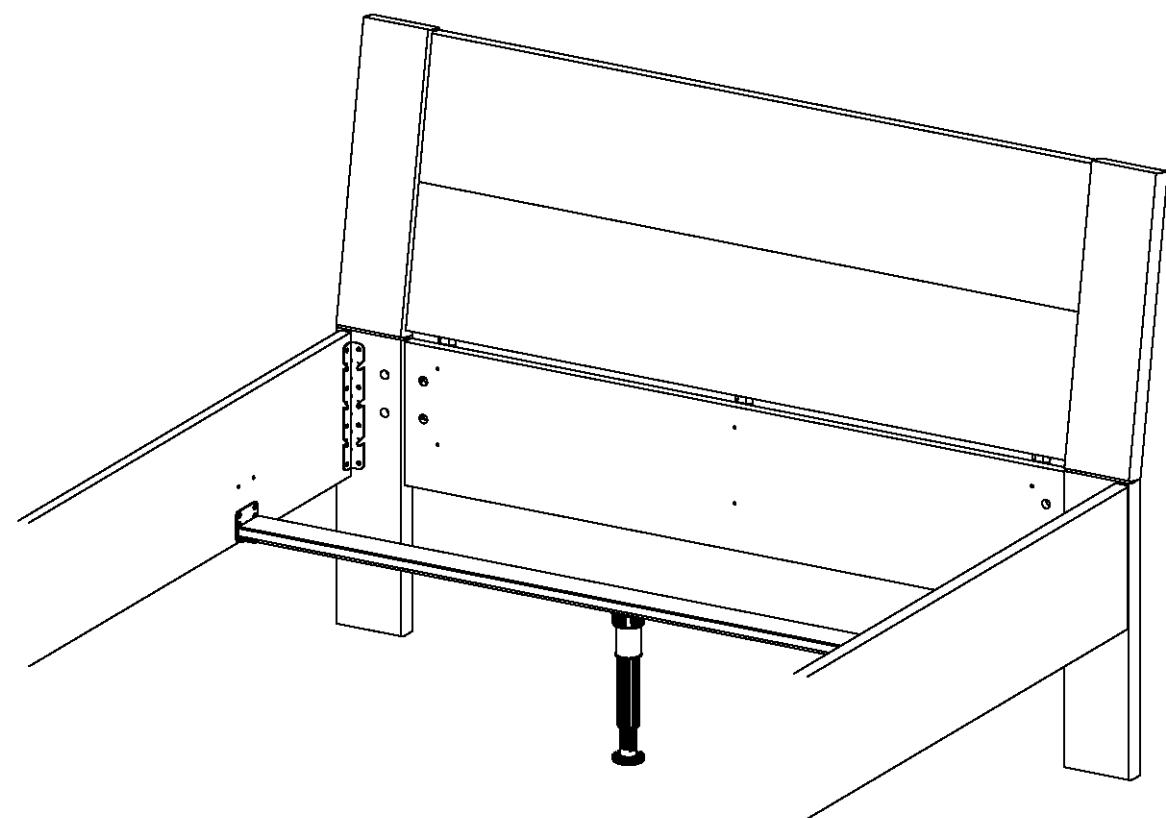
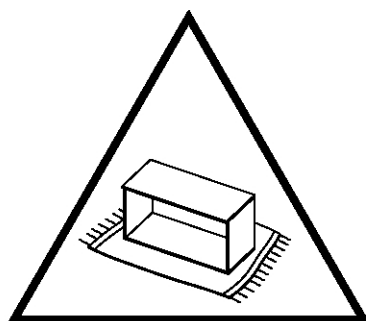
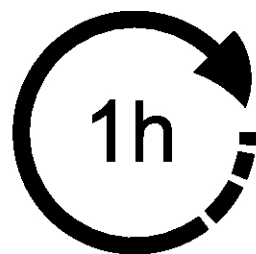
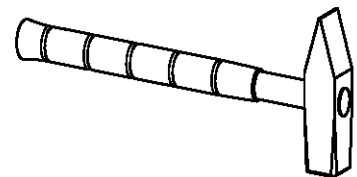
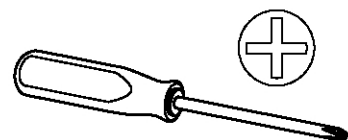


MZ124\_01

rauch



BE010

BE020

KT010

KT010

904

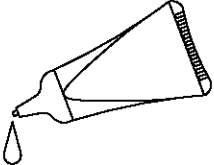
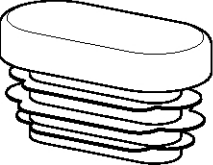
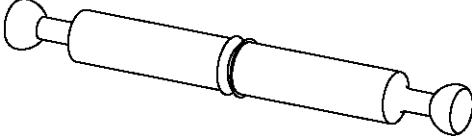
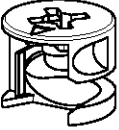
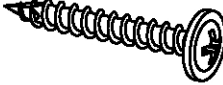
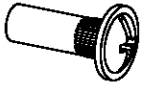
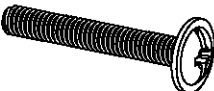
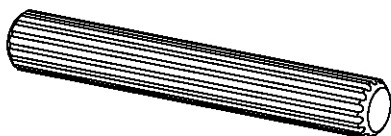
904

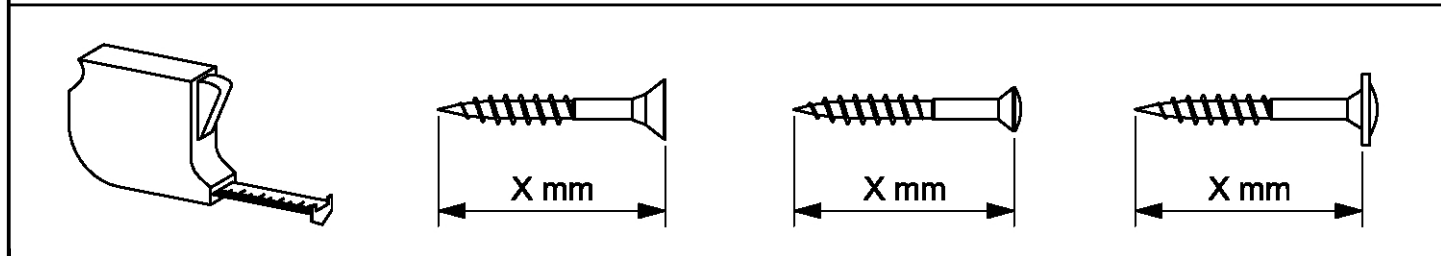
904





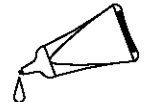

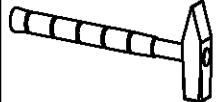
← ≥ 140cm → = 3x 904

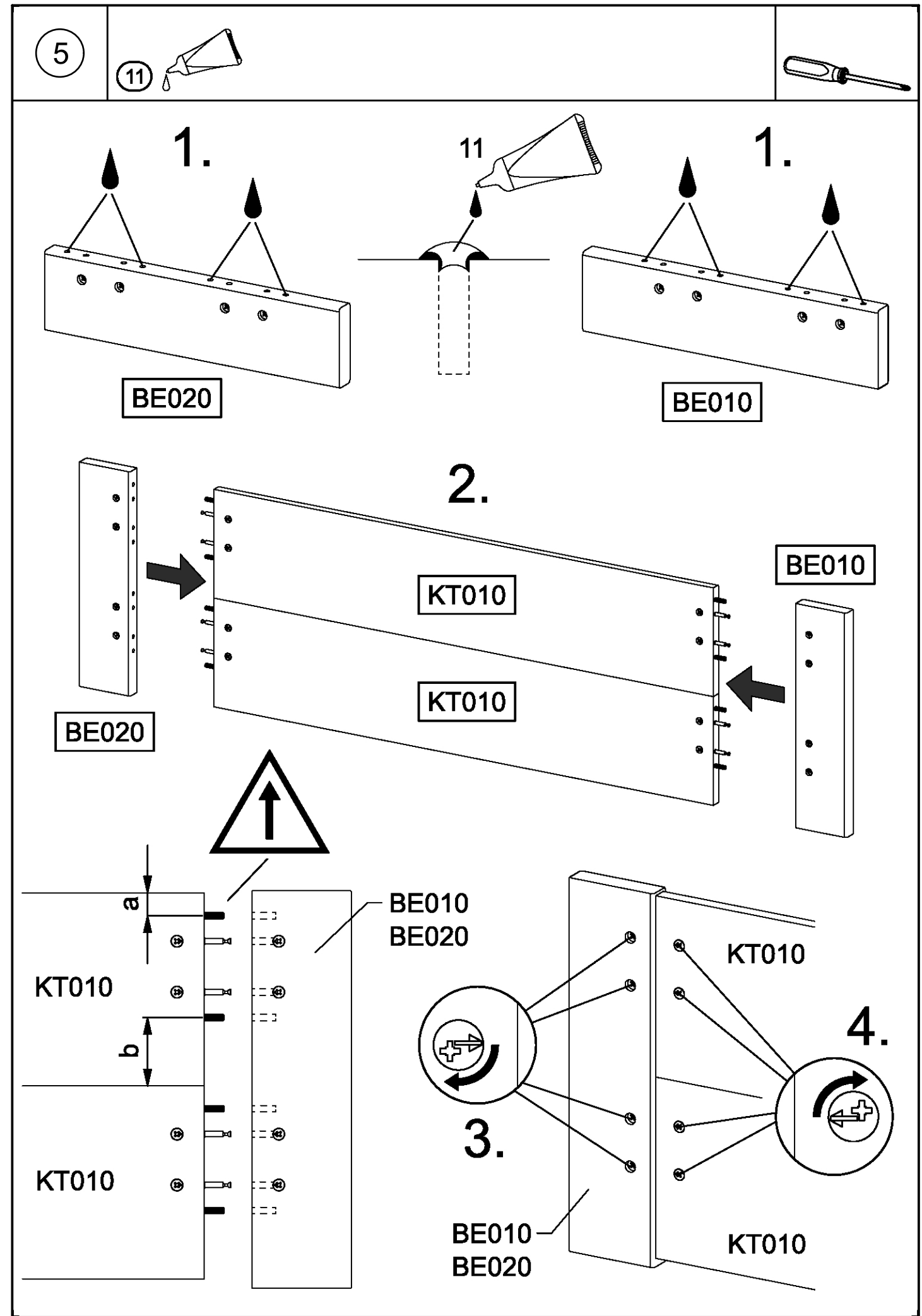
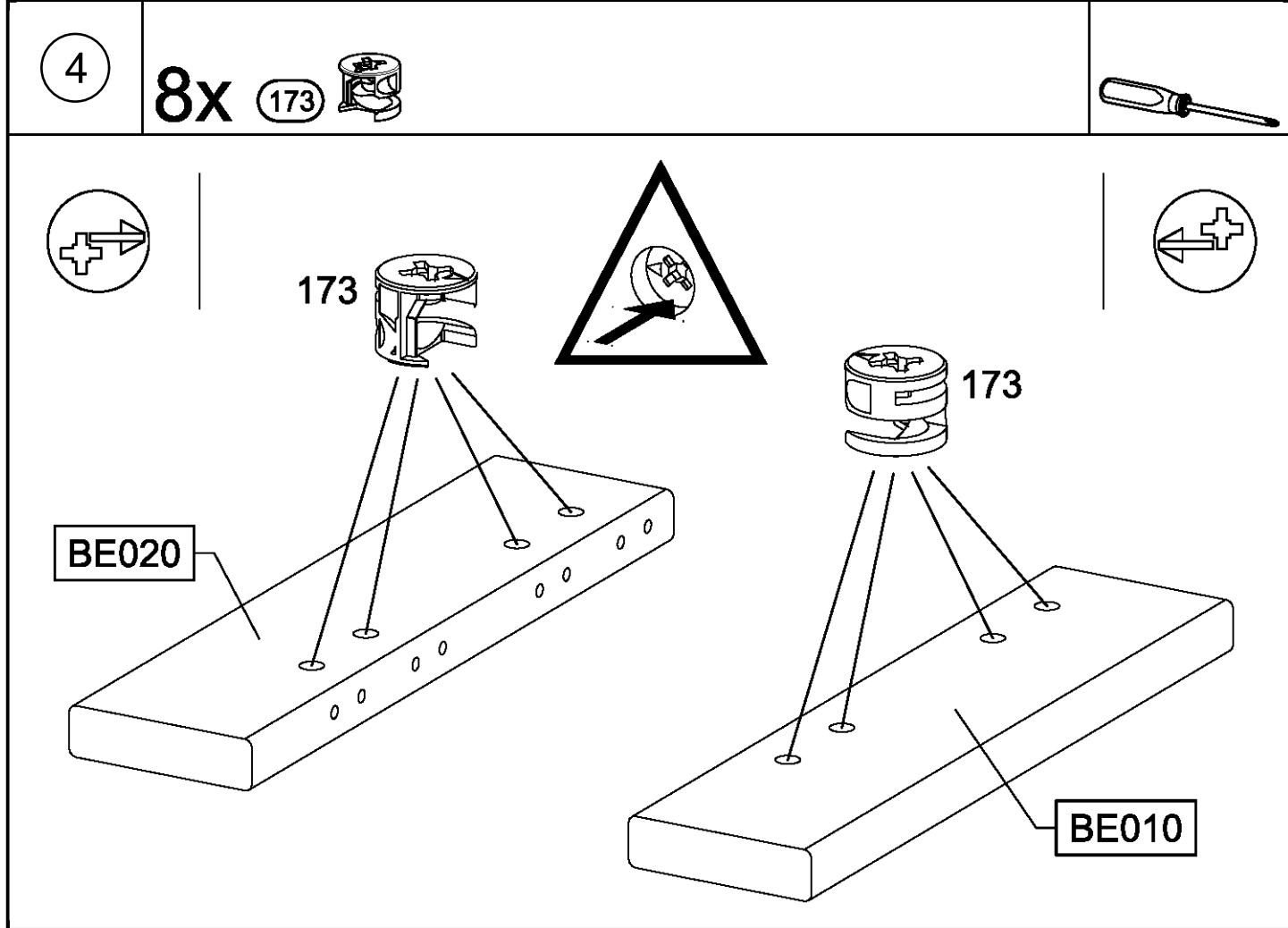
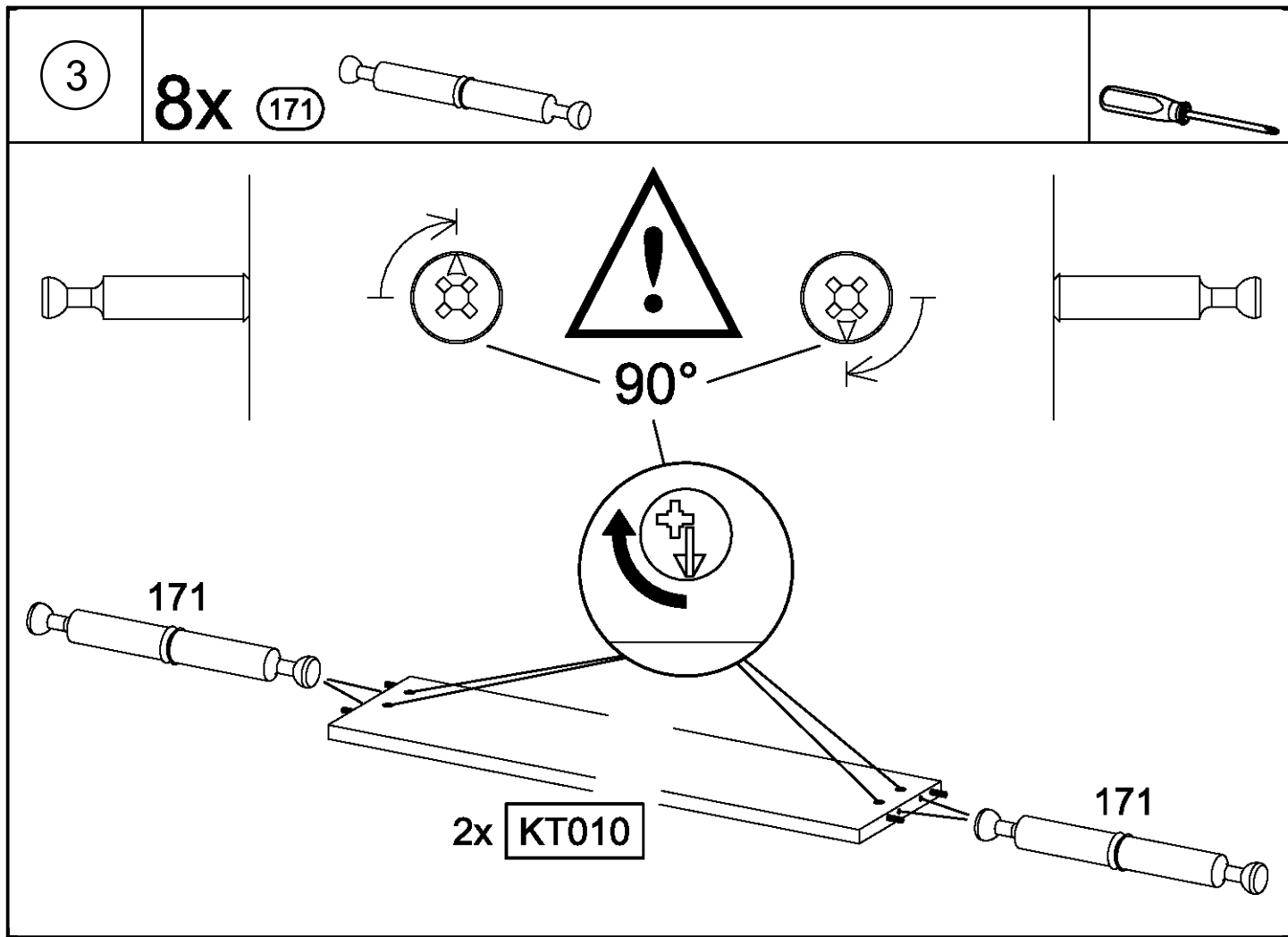
← ≤ 120cm → = 2x 904

<b>11</b> 	<b>2/3x</b> <b>114</b> 	<b>8x</b> <b>171</b> 
<b>16x</b> <b>173</b> 	<b>8/12x</b> <b>203</b> 4x30 	<b>4/6x</b> <b>580</b> M4 
<b>4/6x</b> M4x28 <b>582</b> 	<b>8x</b> 8x55 <b>1021</b> 	



<b>1</b>	<b>8x</b> <b>173</b> 	
----------	---	---

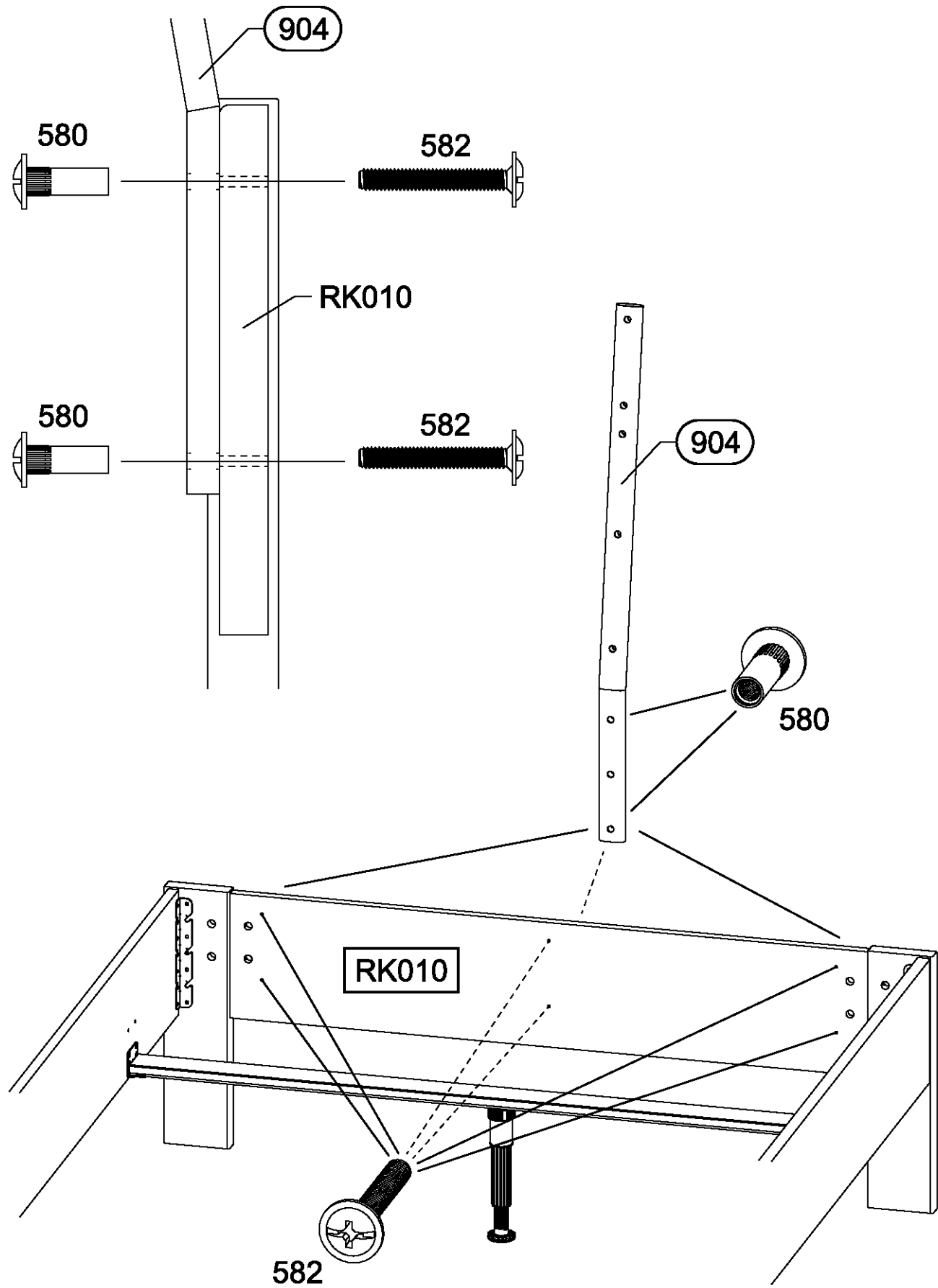
<b>2</b>	<b>11</b> 	<b>8x</b> <b>1021</b> 8x55 	
----------	--	--	---



6

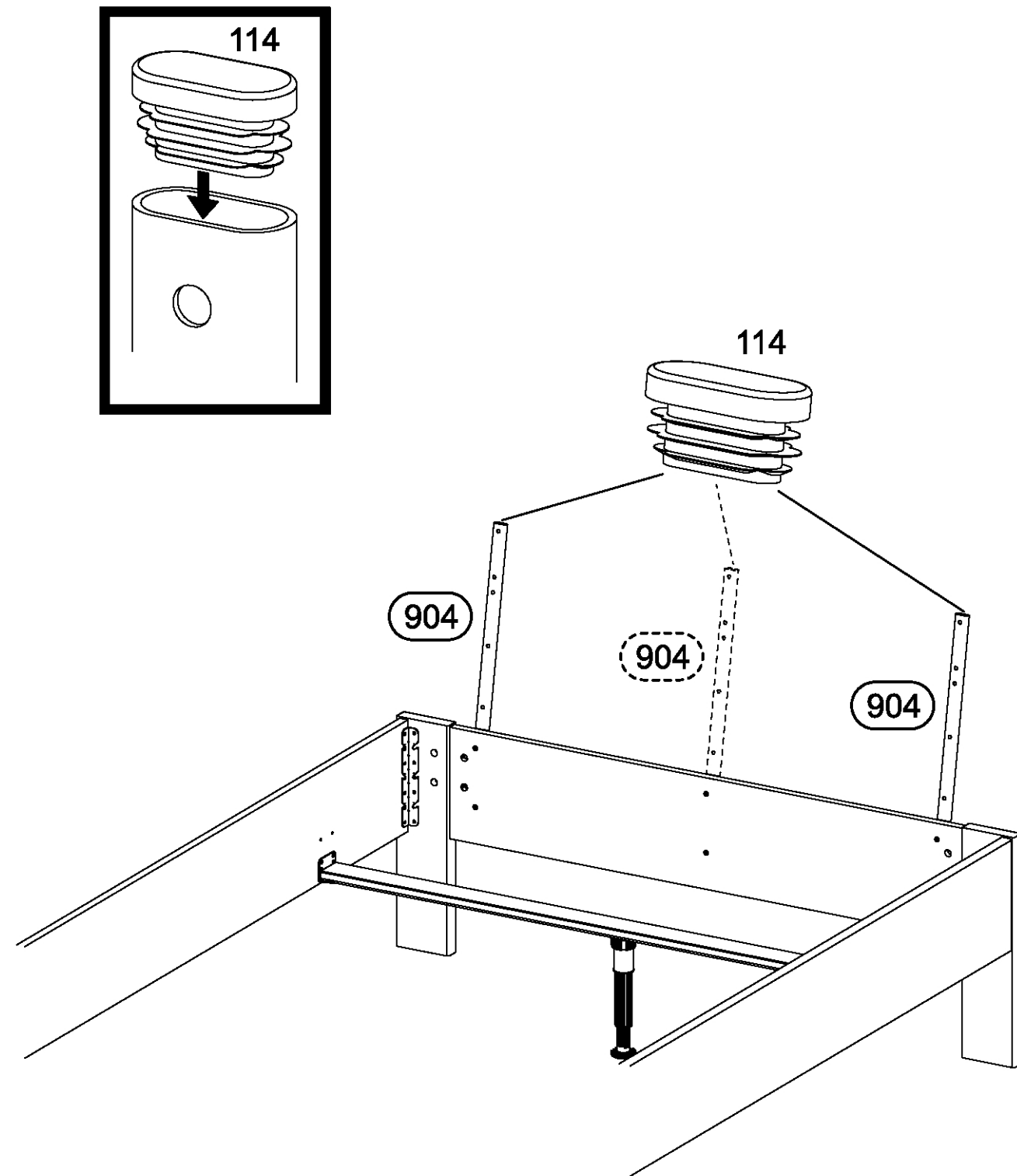
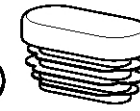
4/6x 580 M4

4/6x 582 M4x28



7

2/3x 114



8

8/12x

203

4x30

