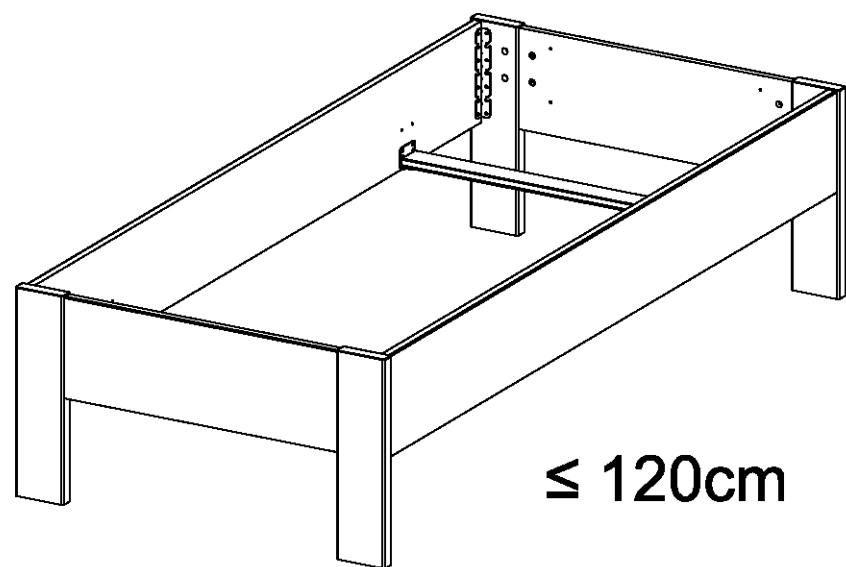
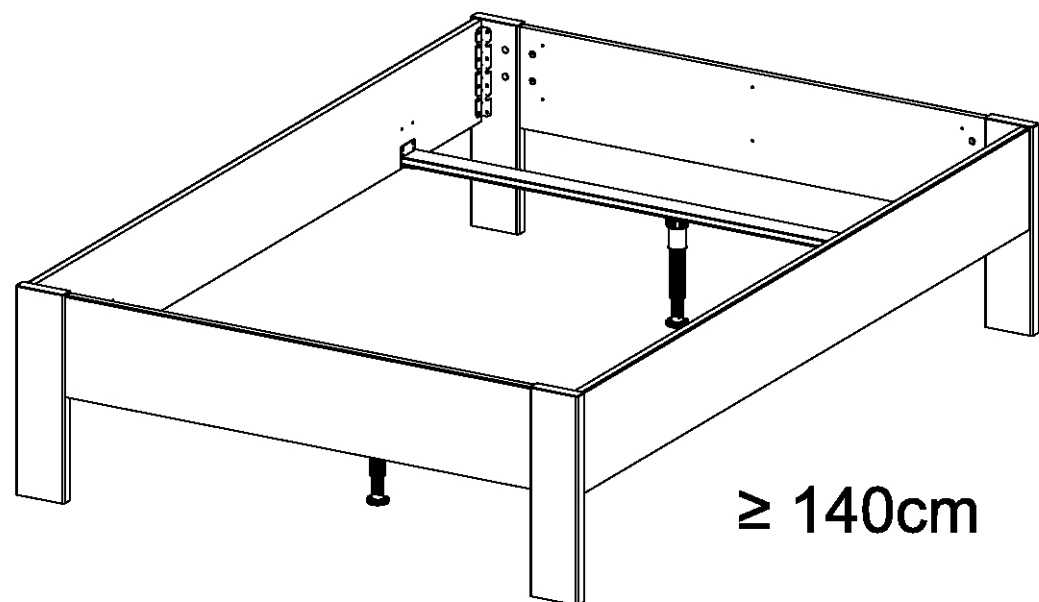
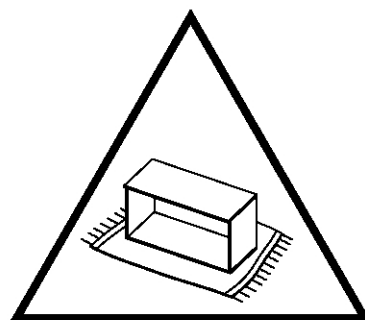
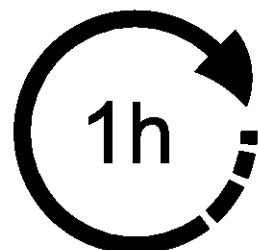
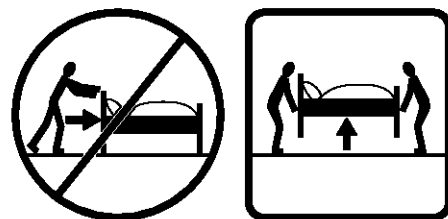
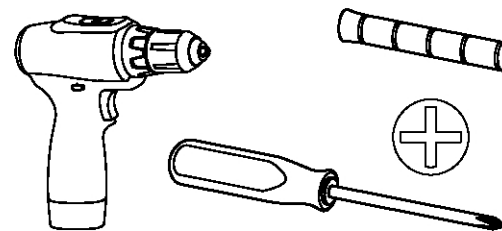


M2513_01

rauch



11		20x	6,3x18	8x	
173		8x	6,3x14	28x	4,5x16
173		200		202	
427		4x	212x25x25	4x	
456		8x	8x55	6x	4x20
1021		2x		2x	
1118		1119			
1120					
			X mm		X mm
			X mm		X mm

← ≥ 140cm →

ST010

RK010

ST020

BS010

QU010

QU010

BS010

ST010

RK010

ST020

ST030

FT010

ST040

BS010

QU010



ST010 = ST040

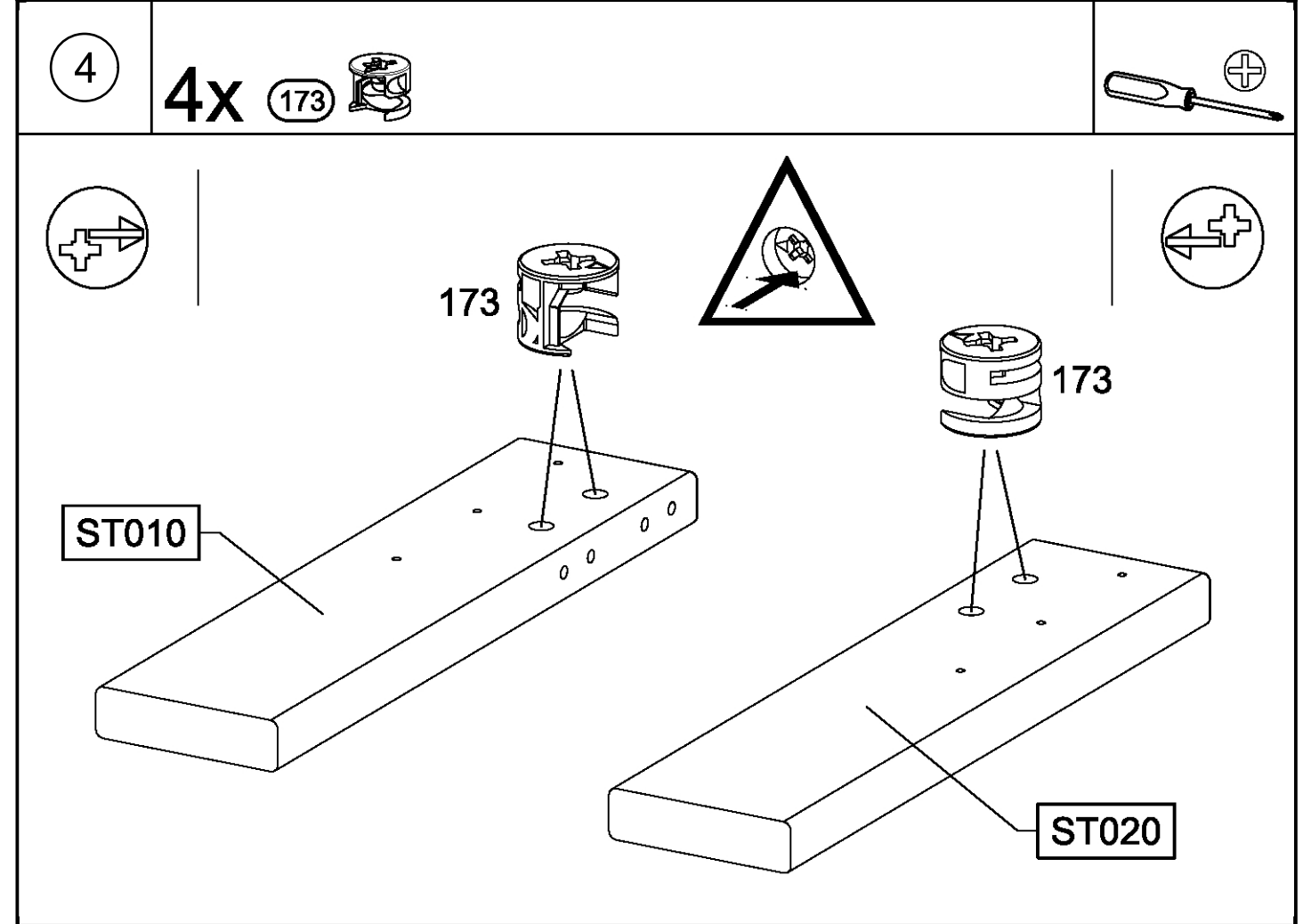
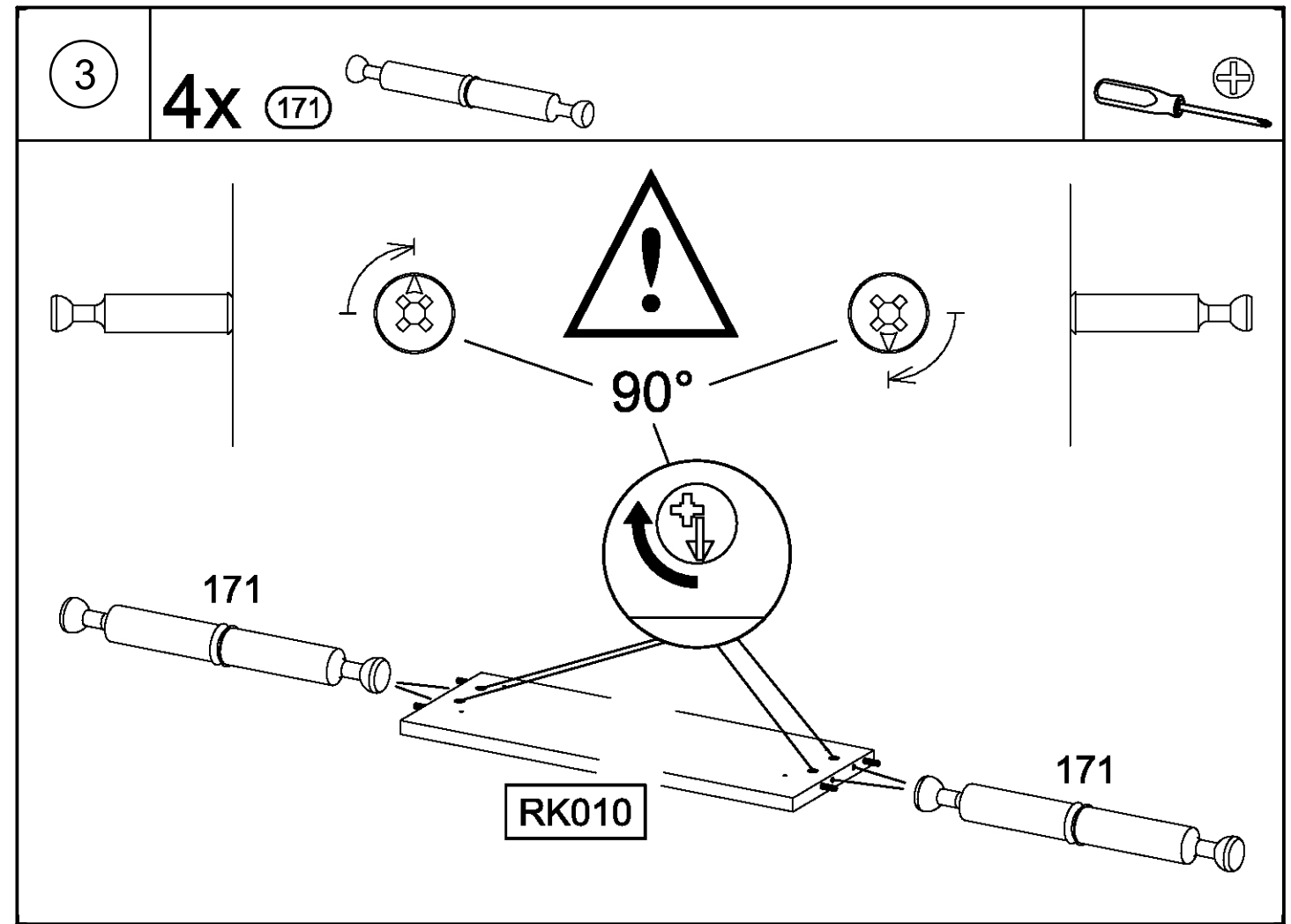
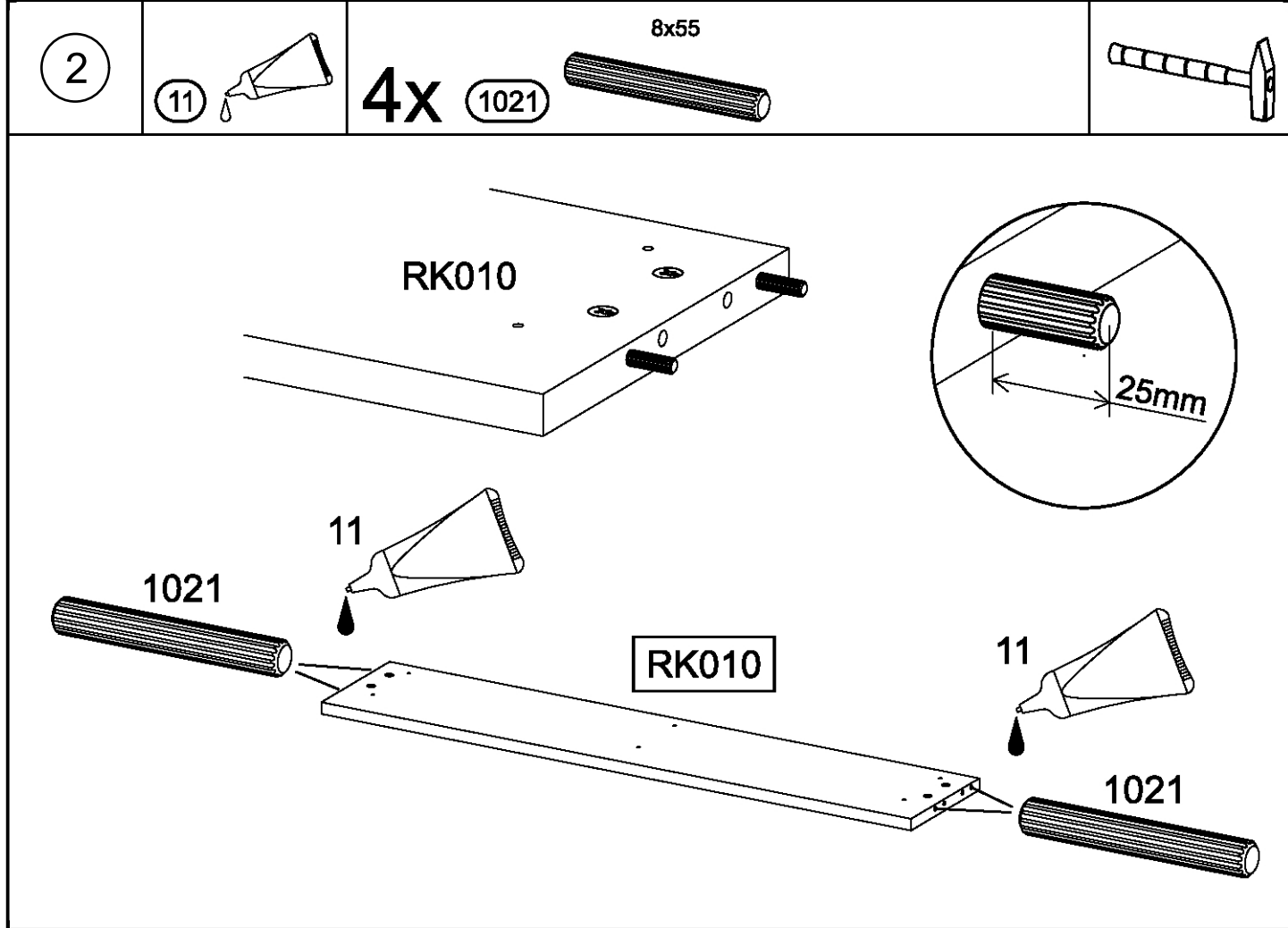
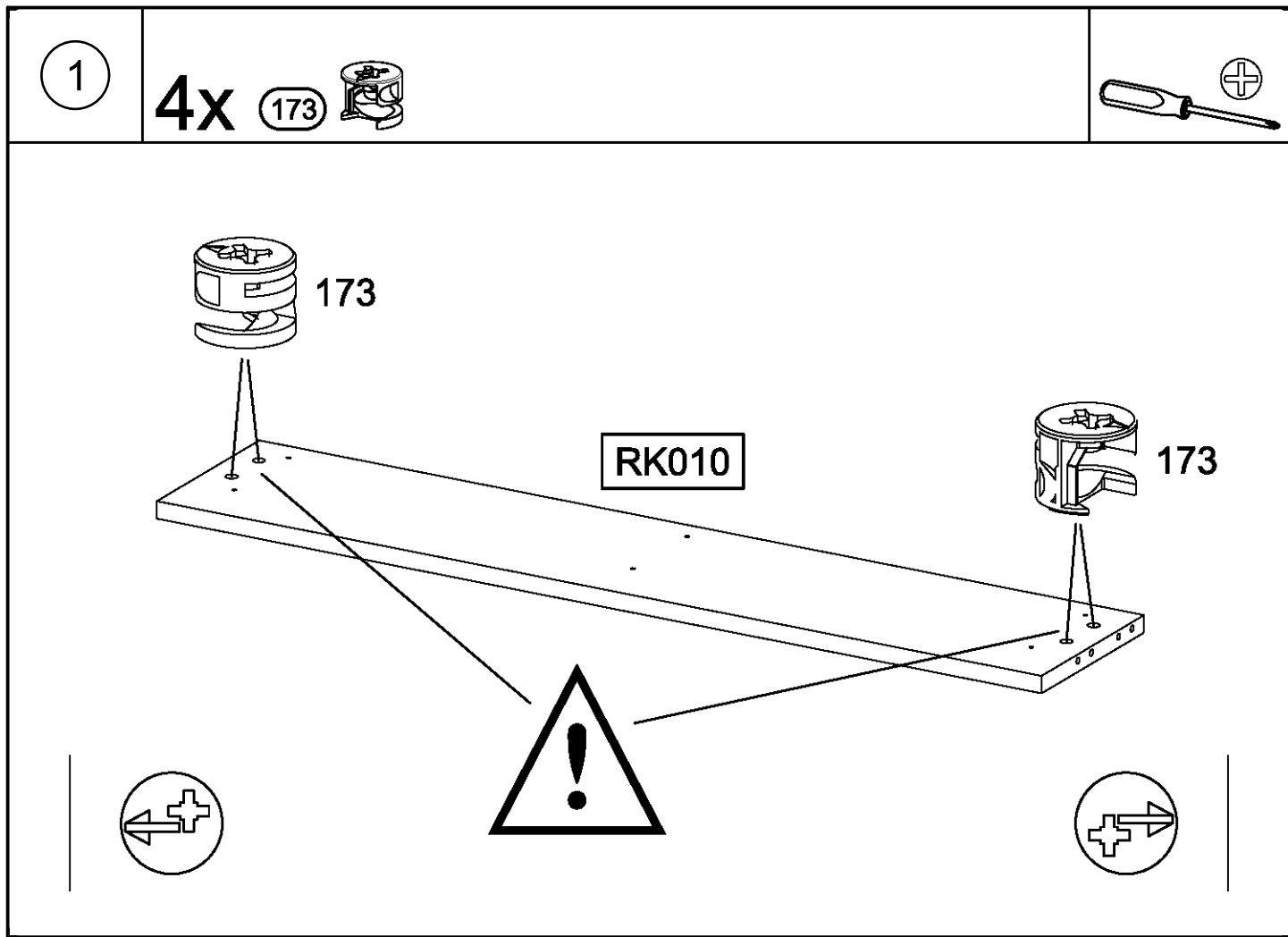
ST020 = ST030

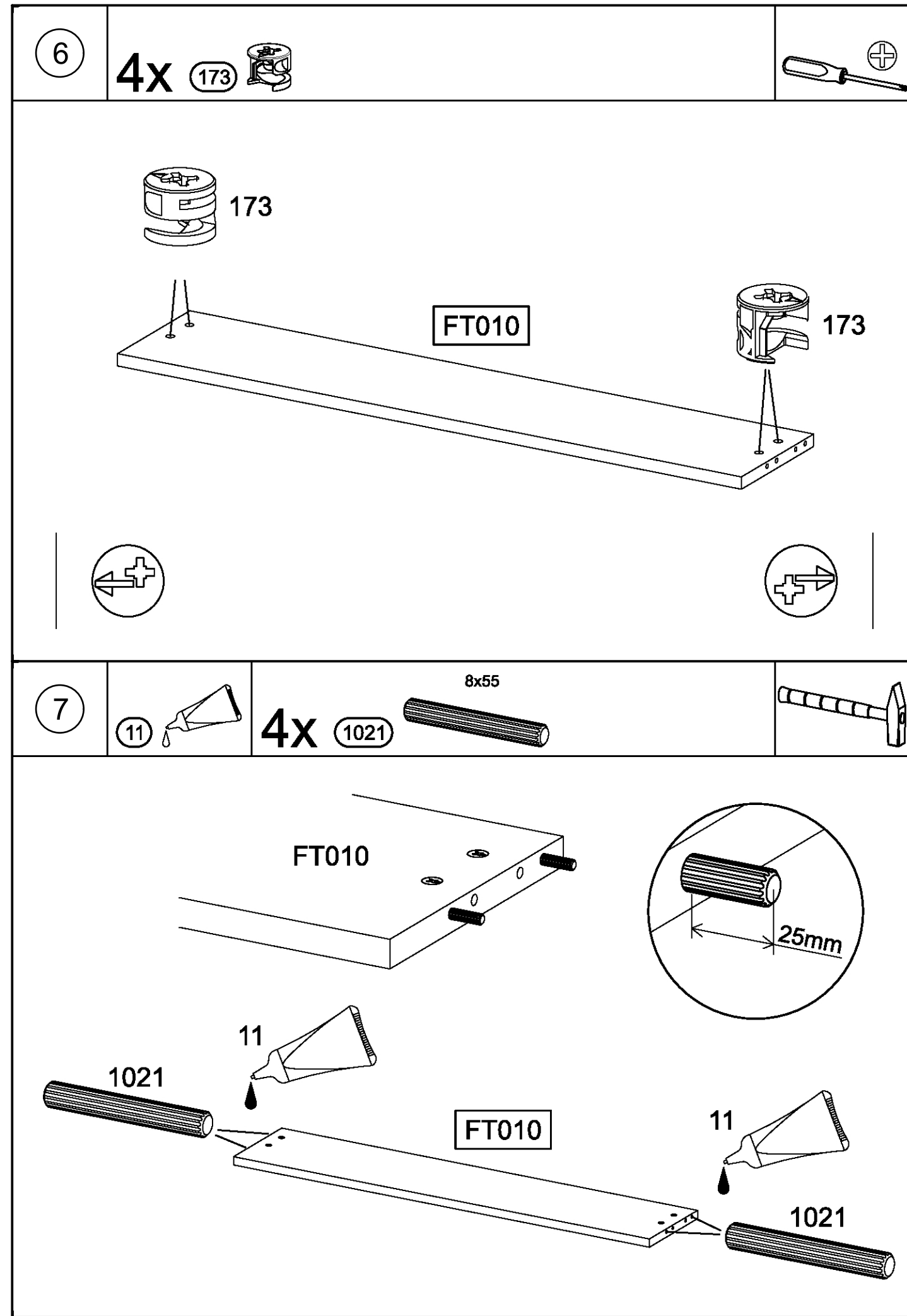
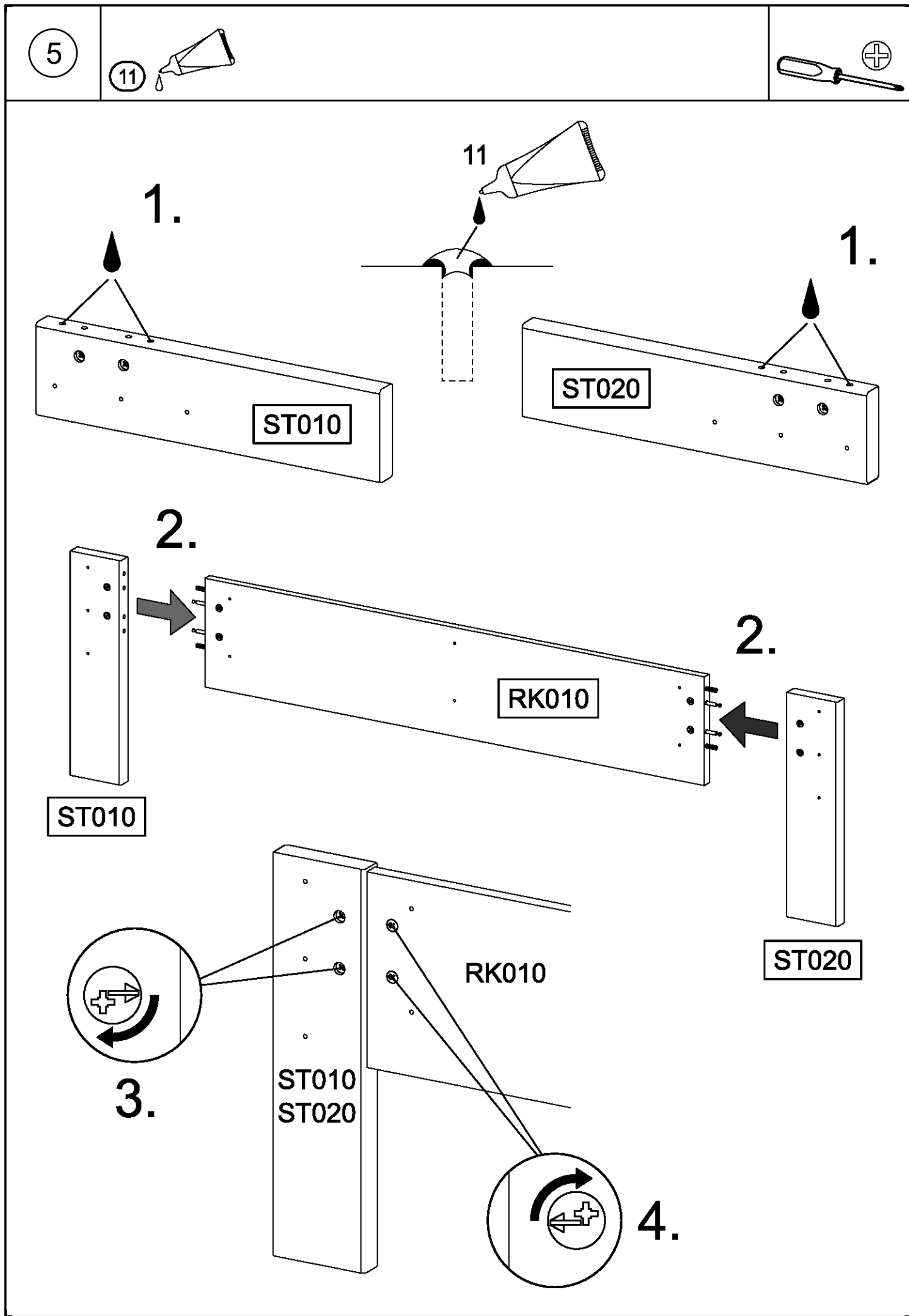
ST030

FT010

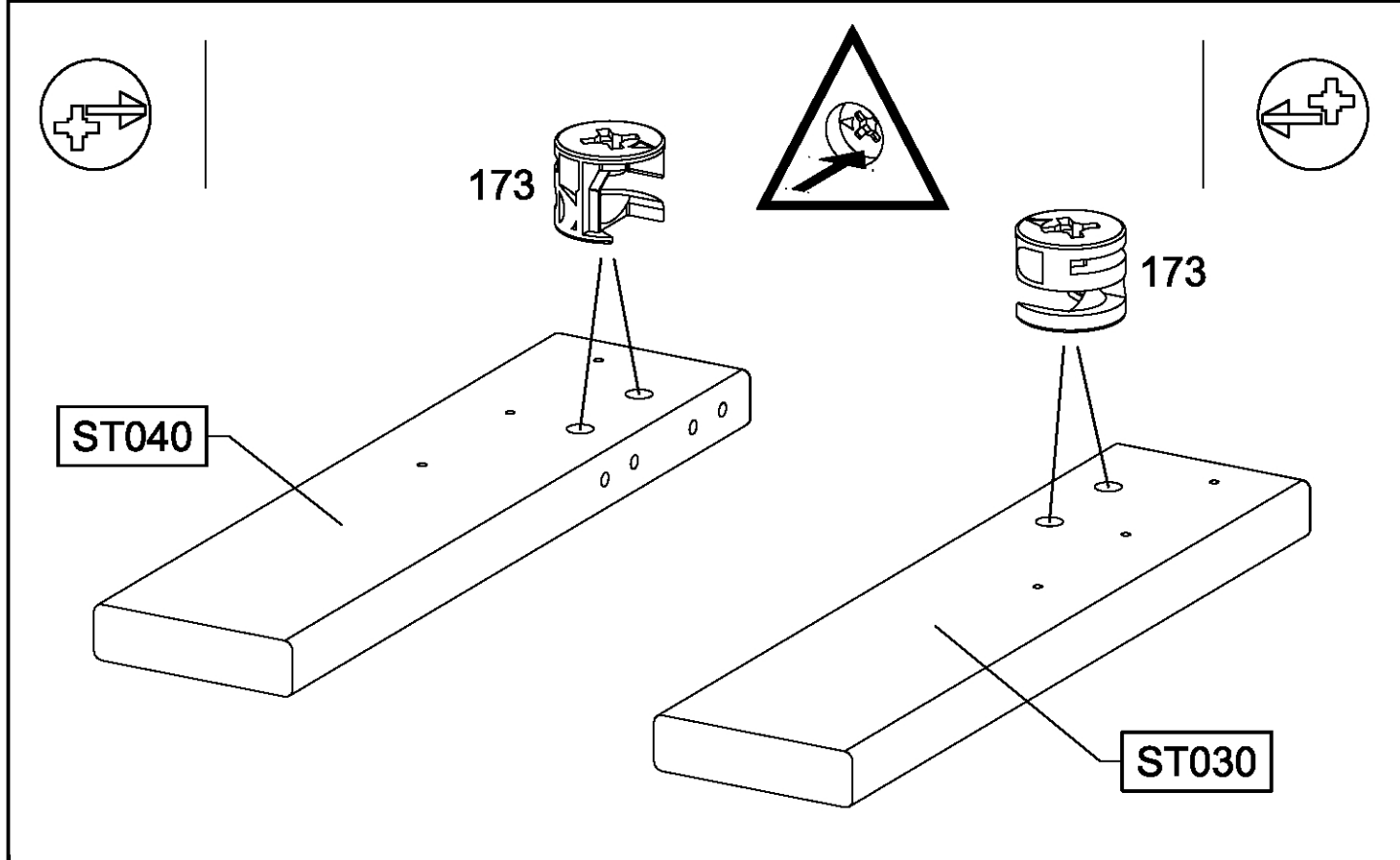
ST040

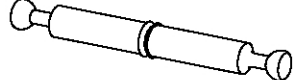

← ≤ 120cm →

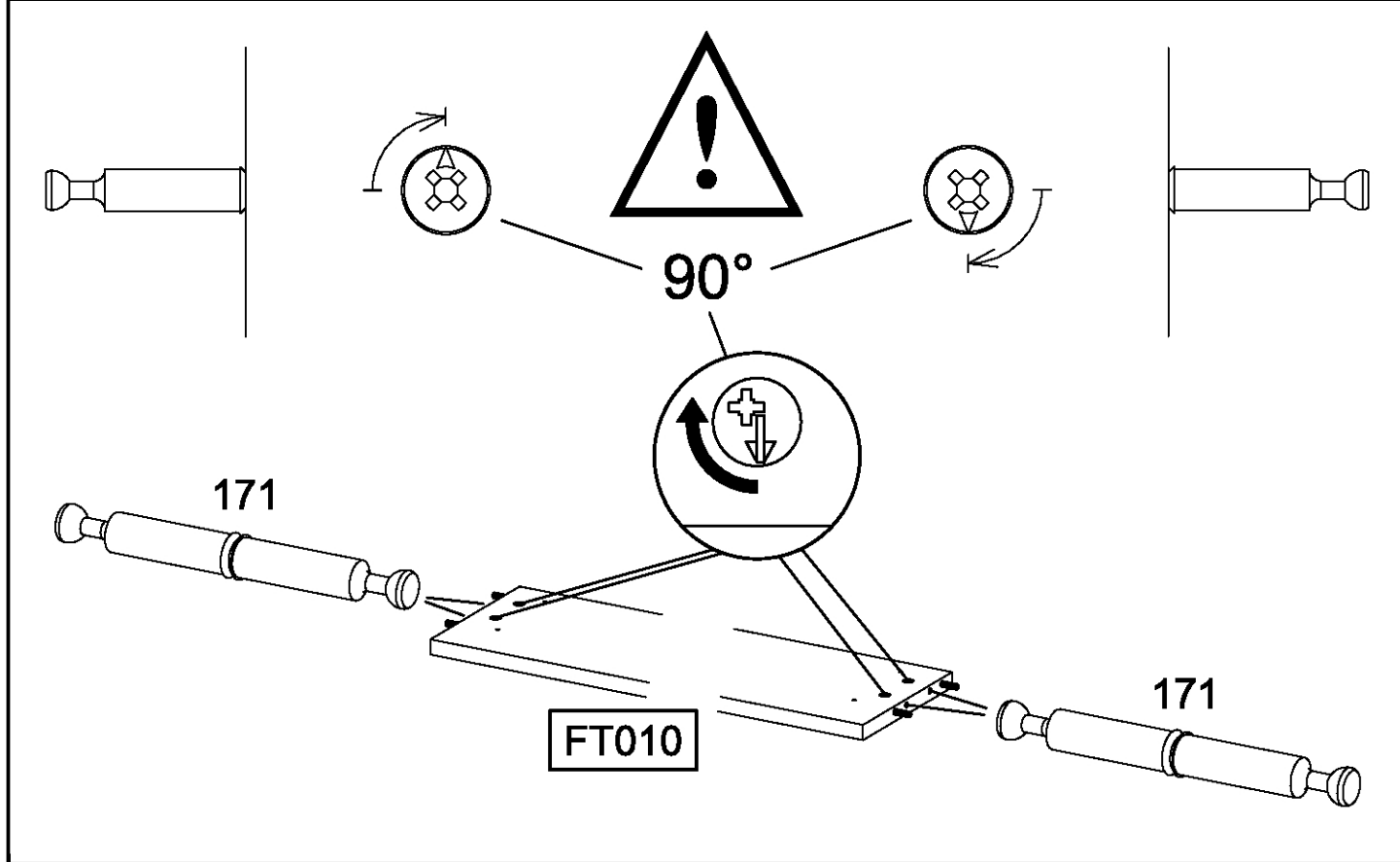




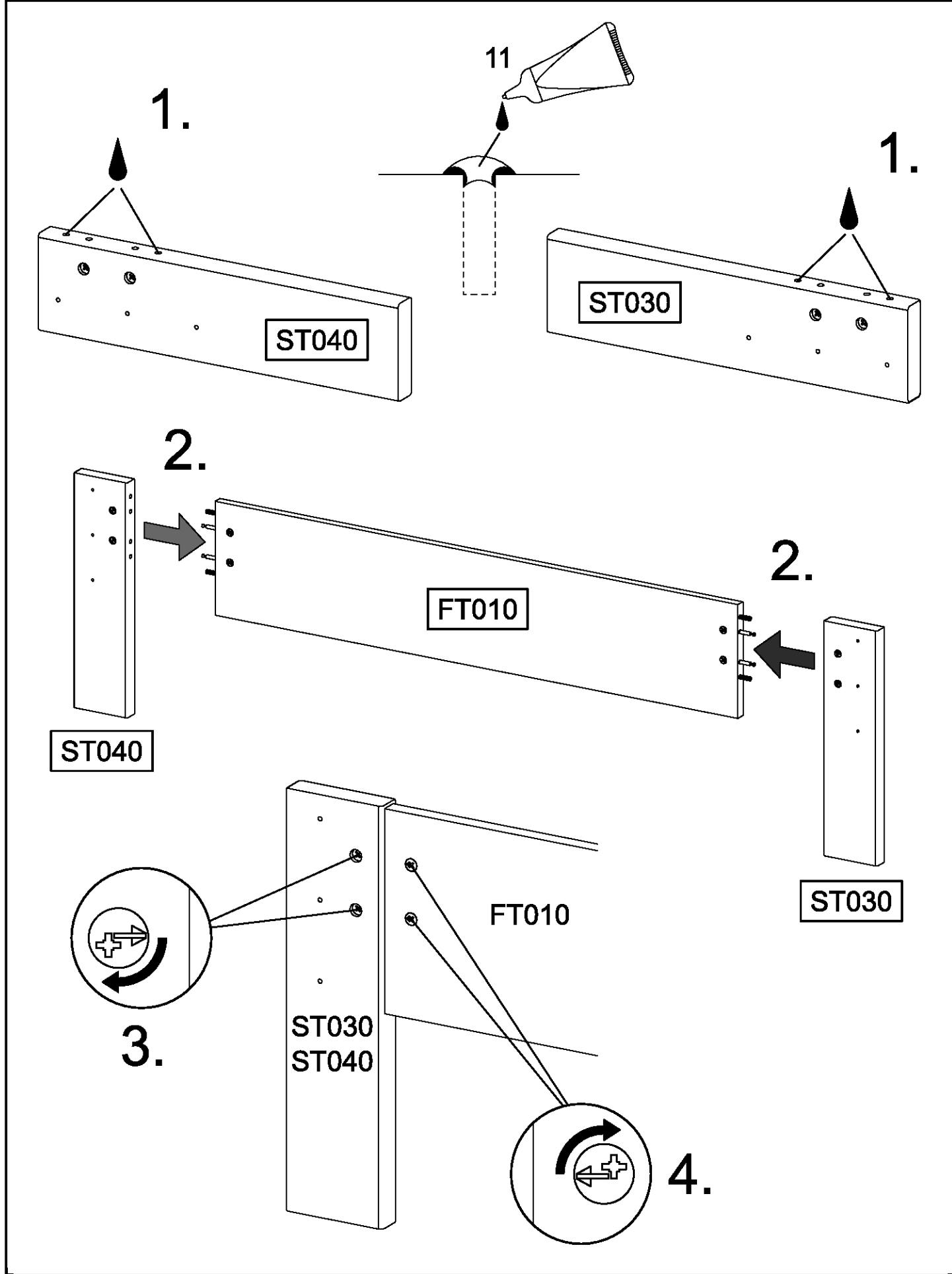
9 **4x** (173)  

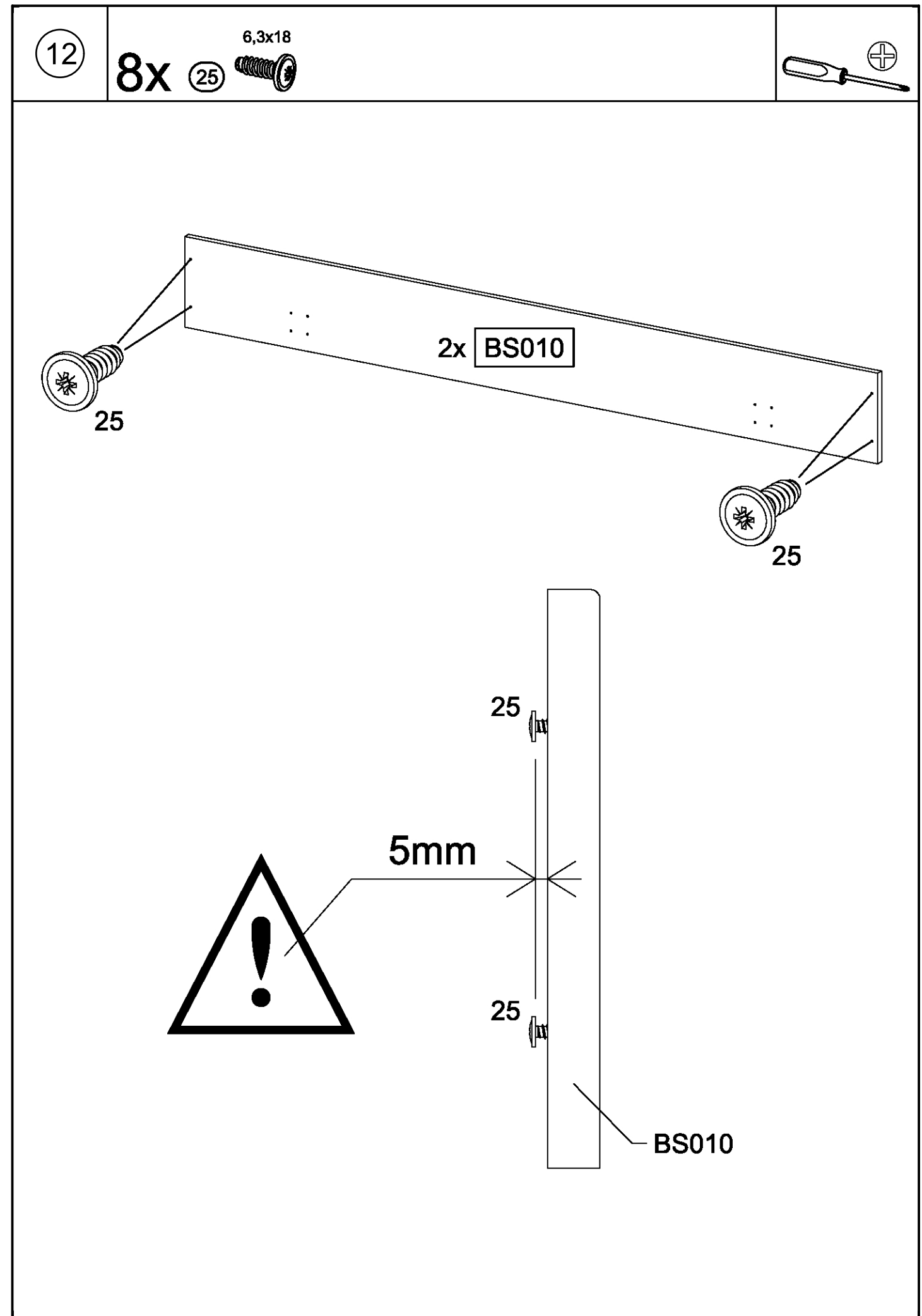
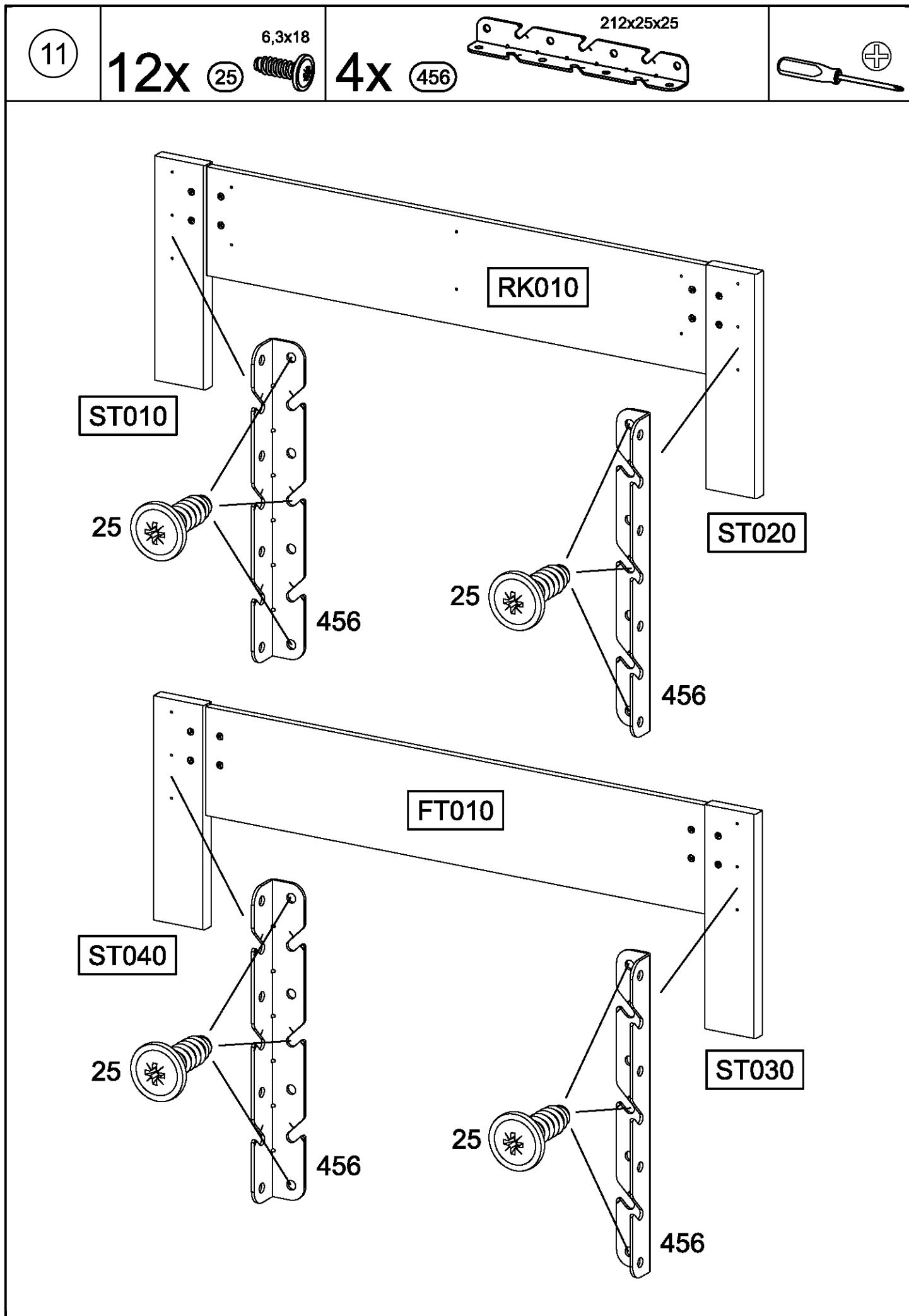


8 **4x** (171)  



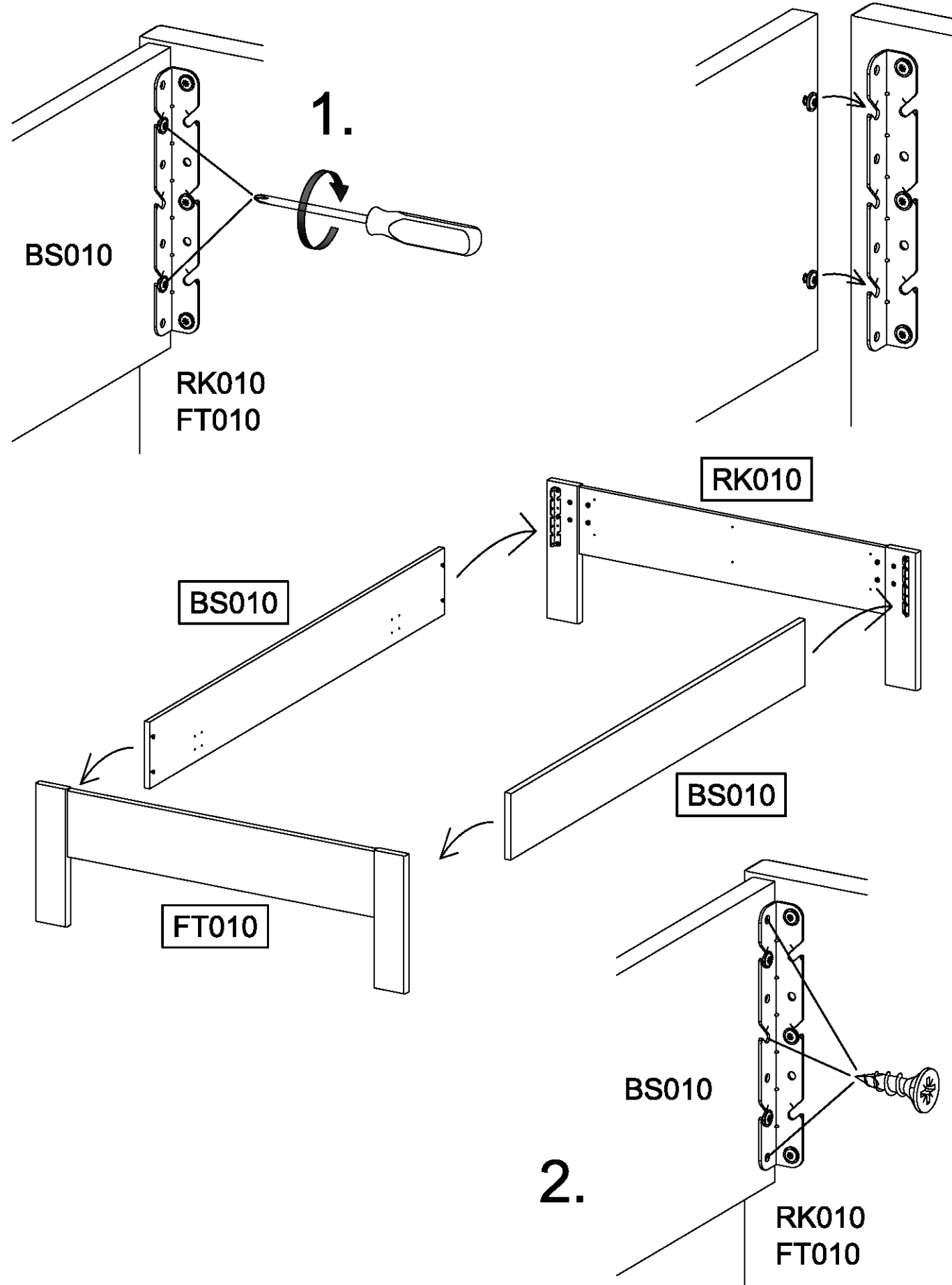
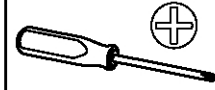
10 (11)  





13

12x 202 4,5x16

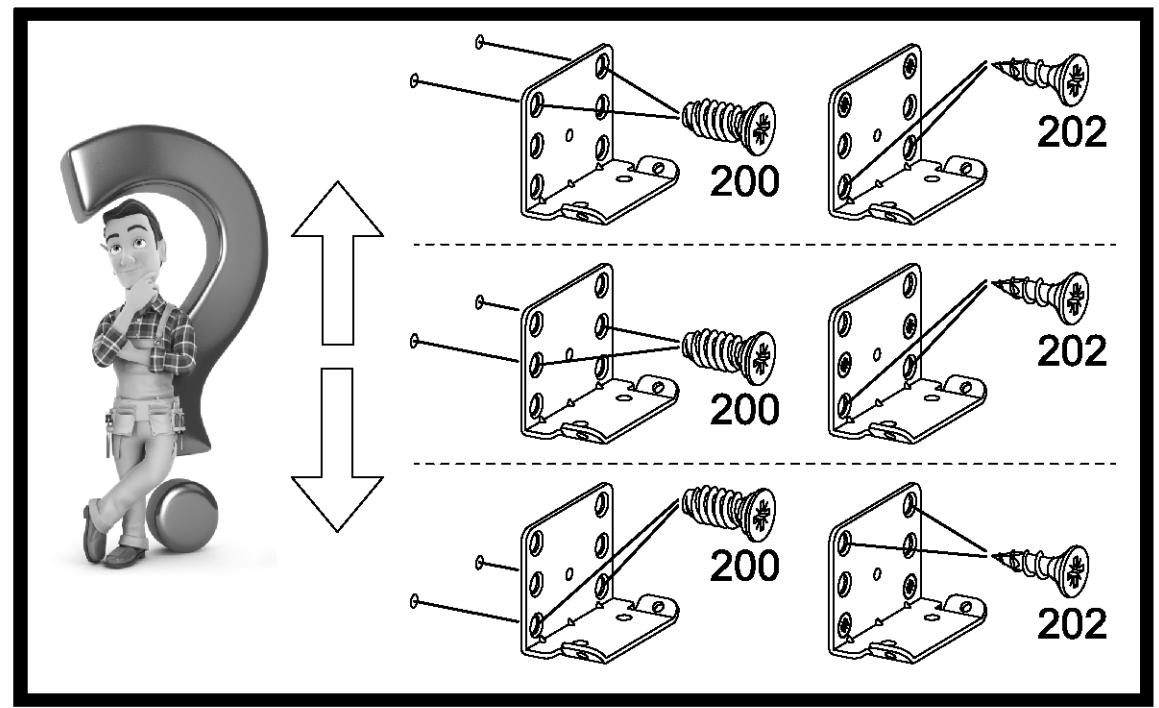
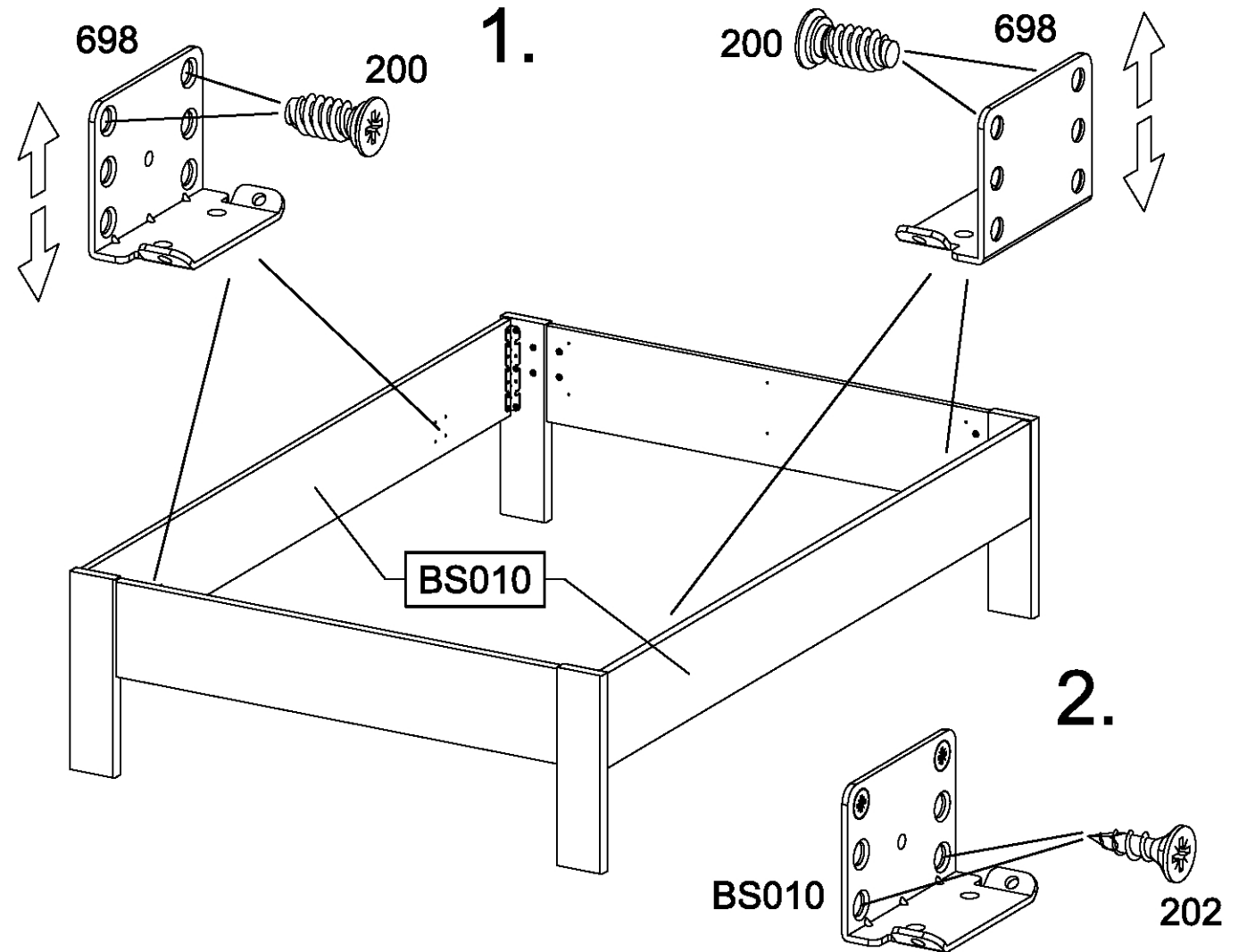
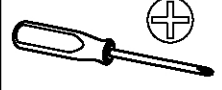
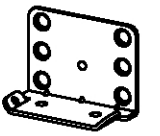


14

8x 200 6,3x14

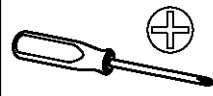
8x 202 4,5x16

4x 698

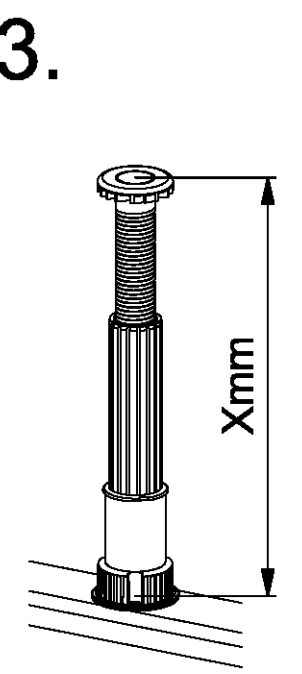
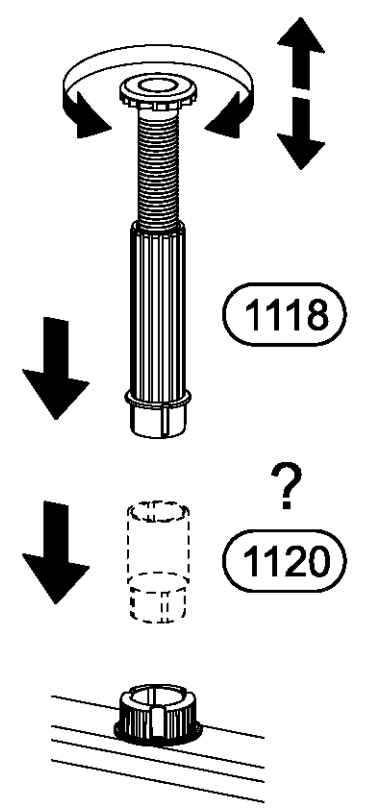
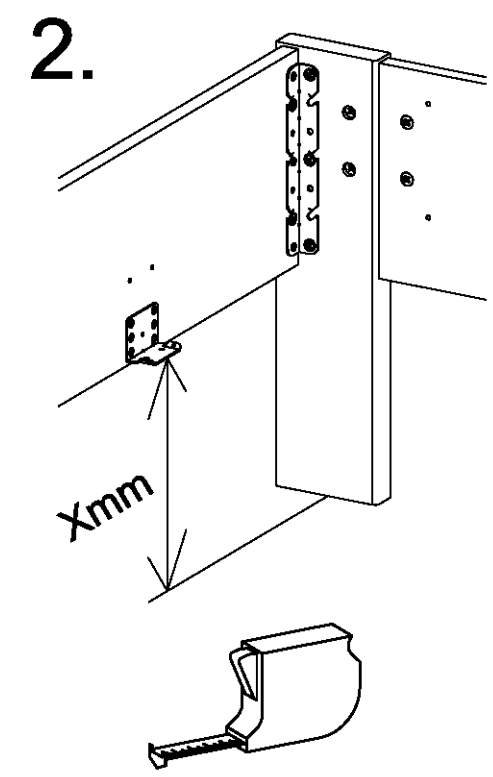
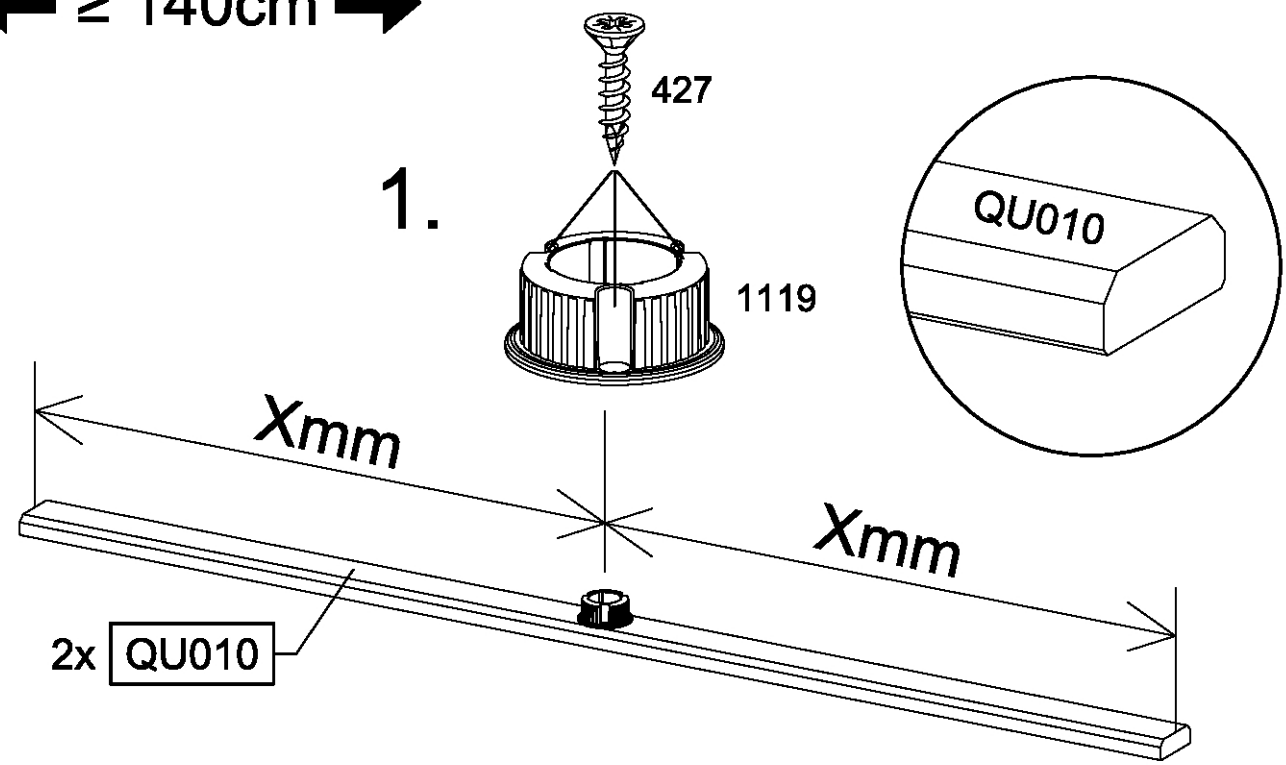


15

6x 427 4x20

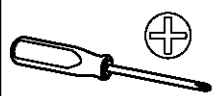


← ≥ 140cm →



16

8x 202 4,5x16



← ≥ 140cm →

